

**CONSTRUCTION :**

BASE : SUB-MINIATURE DOUBLE BREAK SNAP ACTION

**MATERIALS :**

CONTACTS : SILVER + GOLD FLASHED  
 TERMINALS : BRASS , GOLD FLASHED  
 BUTTON : AU4G BLACK  
 BODY : AU4G BLACK  
 WEIGHT : 35 g max

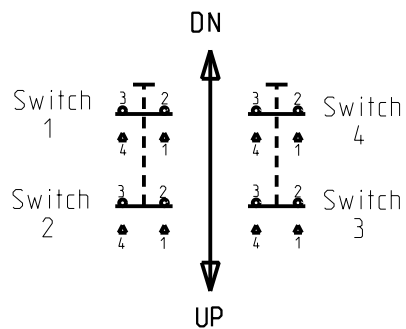
**ELECTRICAL CHARACTERISTICS :**

ELECTRICAL FUNCTION : MOM OFF MOM  
 RATING : Low Level 0.03 Volts @ 10mA  
 ELECTRICAL LIFE : 150 000 CYCLES (Low level)  
 CONTACT RESISTANCE : 25 MILLIOHMS MAX  
 INSULATION RESISTANCE : 1000 MEGAOHMS MIN - 500 VDC  
 DIELECTRIC STRENGTH : 2000 VRMS 50HZ  
 CONTACT BOUNCE : 2 ms MAX

**MECHANICAL AND ENVIRONMENTAL CHARACTERISTICS :**

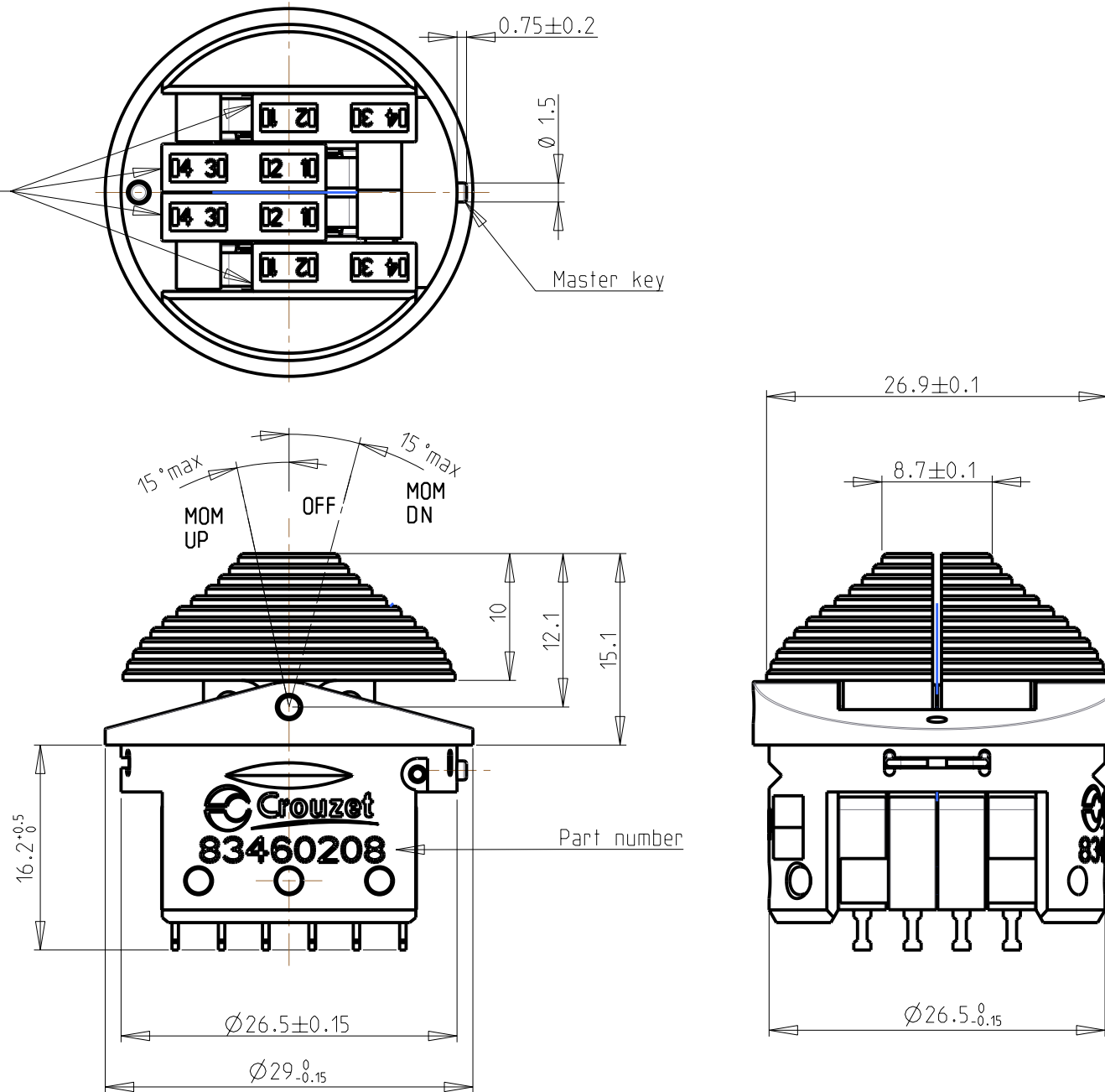
FUNCTIONAL TEMPERATURE RANGE : -40°C TO +70°C  
 STORAGE TEMPERATURE : -55°C TO +85°C  
 MOUNTING FORCE ON REST POSITION : 32 daN  
 MECHANICAL LIFE : 150 000 CYCLES

**ELECTRICAL DIAGRAM :**



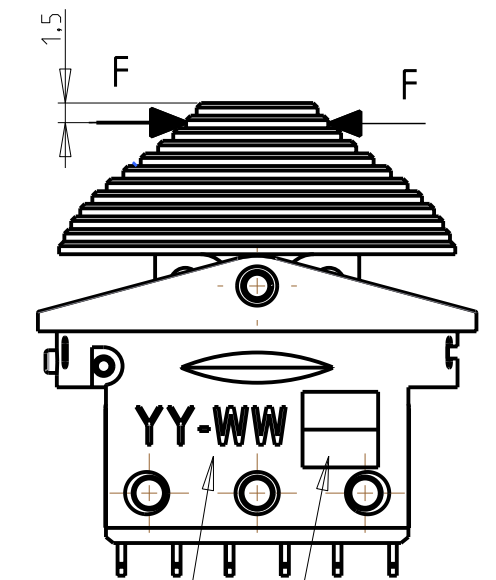
DN Position	Switch 1	Switch 4
	Switch 2	Switch 3
UP Position	Switch 1	Switch 4
	Switch 2	Switch 3

4 switches type :  
OTTO B3-12141



F : TOTAL TRAVEL FORCE  
53 Oz max (15 N max)

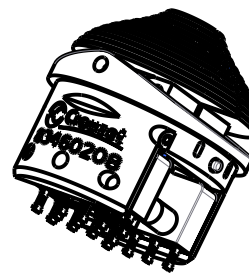
F : OPERATING FORCE (both cam)  
ON EACH WAY  
10.8 - 23 OZ (3 - 6.3 N)



Date of manufacturing  
Year / Week

Control stamp

SCALE 1/1



83460208

Product:

<b>C</b>	DDM : C.CT.DEF.01432.FR	Modified by	C_BODIN	04/11/2013
	Update operating force : 7 - 23 OZ (2 - 6.3 N) -> 10.8 - 23 OZ (3 - 6.3 N)	Verified by	S_FOIN	04/11/2013
		Authorized by	NON APPLIC.	
Toler. gene. lin ± 0.2 mm		This document is the property of Crouzet-Automatismes. It's contents cannot be reproduced or divulged without the company's written approval. The product data and specifications found on this document do not constitute any contractual obligation. Crouzet-Automatismes and its subsidiaries reserve the right to modify the specifications. All rights of reproduction, modification, reprinting, and translation reserved for all countries.		
Toler. gene. Ang ± 2 degrees				
General Raw surface Ra ✓		Scale 2/1		
2, rue du Dr ABEL BP 59, 26902, Valence CEDEX 9 France		Customer Ref.:		PFT001:x<C>;y<M>
Department: CT Design by C_BODIN 08/11/2012 Verif. by A_BONNARD 08/11/2012		Designation/FR: PITCH TRIM Designation/GB:		Dispatching 01
NATO code: FA0X2		Authorized by NON APPLIC.		Index C Format A3 Folio 1/1
		DATA SHEET <b>FT83460208GB</b>		