

**General characteristic :**

Temperature range -40 °C to +70 °C  
 Storage temperature -55 °C to +85 °C  
 Mass 30g max  
 Color button Black  
 Solder terminal

**Mechanical characteristic :**

Endurance 100 000 cycles  
 Angular total travel ±13 ° max

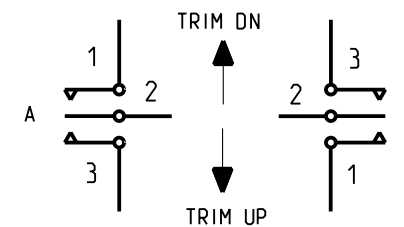
**Electrical characteristic :**

Nominal voltage 28VDC  
 Electrical rating 100mA maximum 30VDC  
 Initial contact resistance 10mhoms

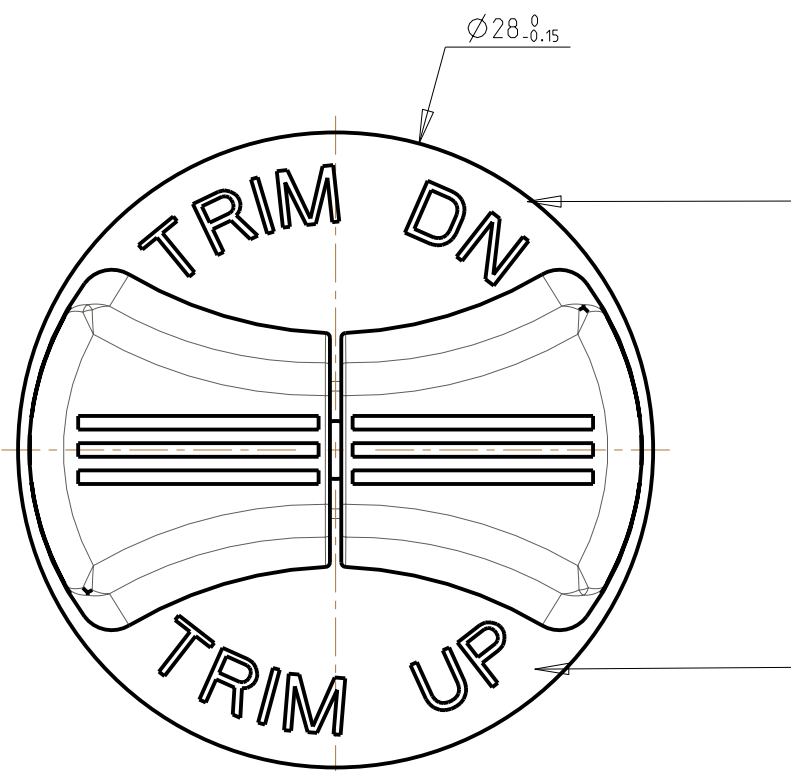
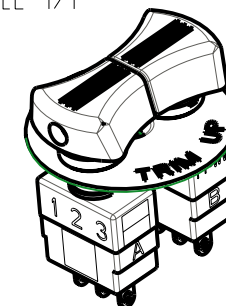
**Basic switch :**

APEM 11137 AD2GK

**Schema diagram :**



SCALE 1/1



83460109  
 Product:

<b>C</b>	Up date drawing, hexagonal screw become cylindric screw.		Modified by	T_VINARD	10/09/2008
			Verified by	A_BONNARD	10/09/2008
			Authorized by	NON APPLIC.	
Toler. gene. lin ± 0.2 mm		This document is the property of Crouzet-Automatismes. It's contents cannot be reproduced or divulged without the company's written approval. The product data and specifications found on this document do not constitute any contractual obligation. Crouzet-Automatismes and its subsidiaries reserve the right to modify the specifications. All rights of reproduction, modification, reprinting, and translation reserved for all countries.			
Toler. gene. Ang ± 3 degrees					
General Raw surface Ra ✓		Scale 3/1			
2. rue du Dr ABEL BP 59. 26902. Valence CEDEX 9 France		Customer:		Customer Ref.:	
Department: CT		Designation/FR: INVERSEUR 3P MOM OFF MOM		PFT001:0<C>;0<M>	
NATO code: FA0X2		Designation/GB: TRIM SWITCH 3P MOM OFF MOM		Dispatching 01	
Design by T_VINARD 05/02/2008		<b>DATA SHEET</b> <b>FT83460109GB</b>			
Verif. by A_BONNARD 05/02/2008					
Authorized by NON APPLIC.		Index	Format	Folio	
		C	A3	1/1	