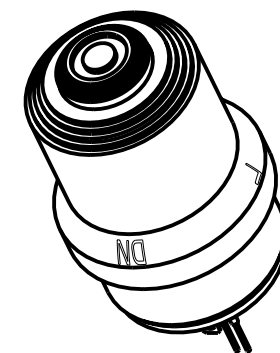


Scale 1/1



Presentation :

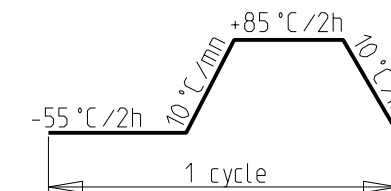
Function : 4 ways switch tactile effect with central push button
 Casing : PA 6.6 GB 40% black
 Plunger : PA 6.6 black
 Contacts : Silver
 Terminals : Solder lugs, silver plated brass

General characteristic :

Operating temperature : -55 °C to +85 °C
 Storage temperature : -55 °C to +85 °C
 Weight : 40gr max

Thermal shock :

3 cycles following the curve



Vibrations / Chocs :

In accordance with RTCA DO-160D section 8 Category H
 Standard vibration (Paragraph 8.5.2 curve B) and
 high level short duration vibration (Paragraph 8.6 curve R)

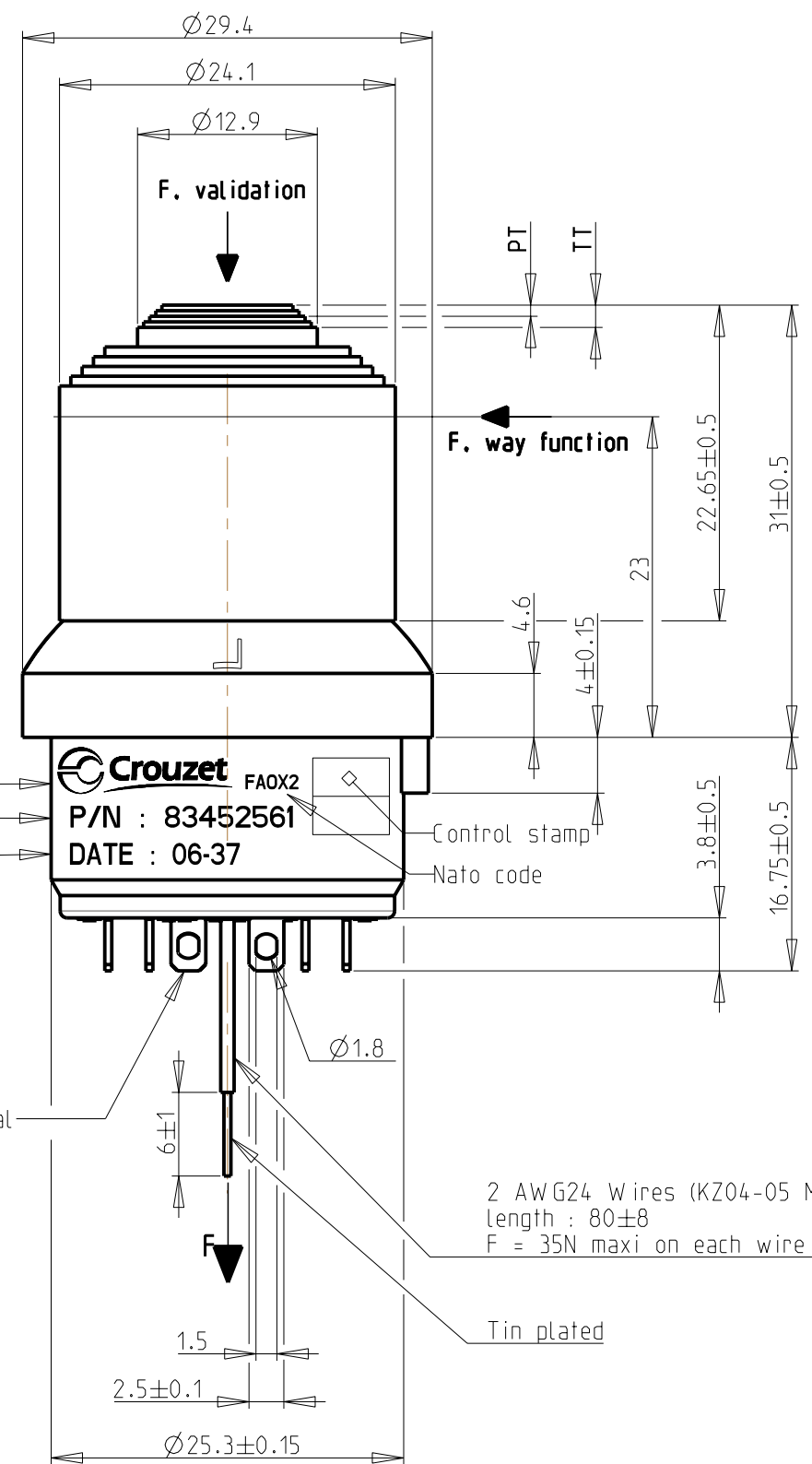
In accordance with RTCA DO-160D section 7 Category B
 Operational shock (6g / 11ms) and Crash safety (20g / 11ms)

Altitude :

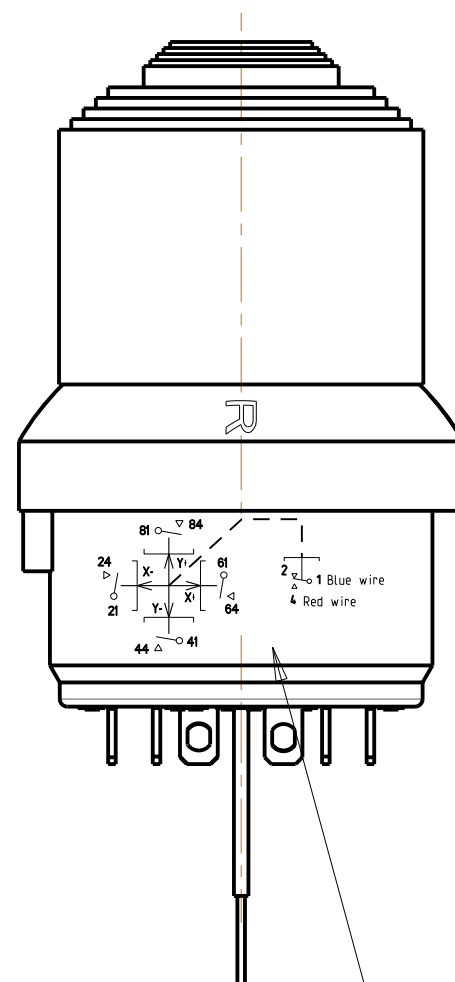
In accordance with RTCA DO-160D section 4 Category A1 :
 15000 ft (4600m) or 571.8 mbar
 Decompression: 8000 ft 50000ft (15240m) in 15 sec +/-10%

Seal :

Front face sealing : Not applicable
 Back face sealing : In accordance with RTCA DO-160D section 10 Category W



View A



Way function

Mechanical characteristics :

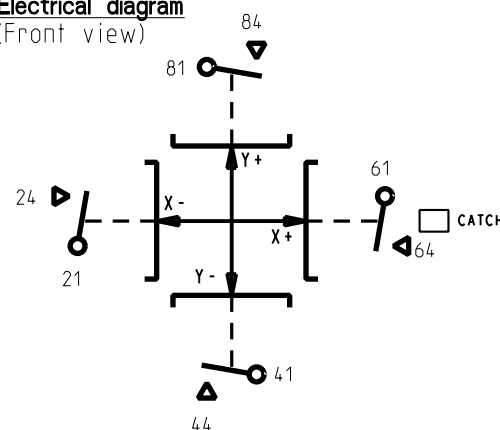
Detente action : 12N±3N
 Operating force : Detente action - 6.5N
 Permissible force at the end of travel : 70N maxi
 Angular total travel : ATT 12° maxi (5.7mm maxi)
 Angular pretravel : APT 9°30' maxi (4.50mm maxi)
 Angular overtravel : AOT 1°30' mini (0.7 mm mini)
 Angular return travel : ART 4° mini (1.85mm mini)
 Torque on button : 2.5 DaN.cm max
 Mechanical endurance by way : 300 000 cycles

Electrical characteristics :

Electrical endurance : 100 000 Cycles
 Dielectric strength : 600Vdc 5sec @ 1mA
 500Vdc 1min @ 1mA
 Insulation resistance : >20MΩ 500Vdc 2sec
 >100MΩ 50Vdc 1min
 Contact resistance : First inspection and after electrical & mechanical endurance.
 in accordance with MIL-PRF-8805

Current	30Vcc	120Vac 400Hz Cos p=0.8	Minimum voltage
Resistif	10A	2A	5Vcc
Self. Inductive L/R=5ms	10A	1A	
Minimum	0.5mA	0.5mA	

Electrical diagram
(Front view)



Validation function

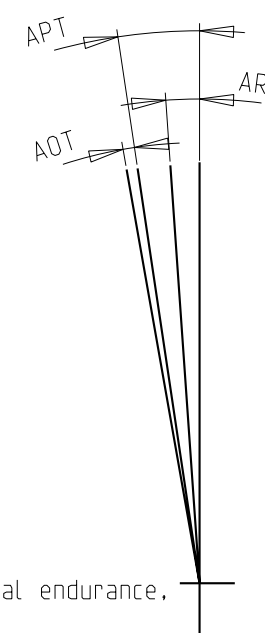
Mechanical characteristics :

Operating force : 6N max
 Release force : 2N mini
 Total travel : TT 1.6±0.5mm
 Pre travel : PT 0.43mm mini
 Plunger strengtness pulling action : 40N maxi
 Plunger strengtness pushing action : 100N maxi
 Mechanical endurance : 300 000 cycles
 (5 cycles/sec, 1mm/mm to 0.3m/sec)

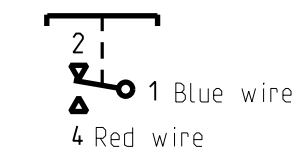
Electrical characteristics :

Electrical endurance : 100 000 cycles 1A 30Vdc resistive load
 Dielectric strength : 600Vdc 5sec @ 1mA
 500Vdc 1mn @ 1mA
 Insulation resistance : >20MΩ 500Vdc 2sec
 >100MΩ 50 Vdc 1min
 Contact resistance : First inspection : R < 60mΩ @ 5V 1mA
 After electrical endurance : In accordance
 with MIL-PRF-8805

Travels schema:



Electrical diagram



Laser marking:

CROUZET sigle
 Part number : P/N : 83452561
 Manufacturing date : DATE : 06-37
 Control stamp
 Nato code

Engraved Laser marking :
 Color : White
 Characters type : FUTURA MEDIUM CONDENSE

Product:
83452561

C		Output wires lenght become 80±8 mm.		Modified by	T_VINARD	29/06/2007
				Verified by	A_BONNARD	29/06/2007
				Authorized by	Non Applic.	
Toler. gene. Lin ±		0.3 mm		This document is the property of Crouzet-Automatismes. It's contents cannot be reproduced or divulged without the company's written approval. The product data and specifications found on this document do not constitute any contractual obligation. Crouzet-Automatismes and its subsidiaries reserve the right to modify the specifications. All rights of reproduction, modification, reprinting, and translation reserved for all countries.		
Toler. gene. Ang ±		3 degrees				
Crouzet		General Raw surface		Ra		Scale
2, rue du Dr ABEL BP 59, 26902, Valence CEDEX 9 France		Customer:		Customer Ref.:		Scale
		Designation/FR:		TRIM UNIPOLAIRE 4D + VALIDATION		PFT001:0<C>:0<M>
		Designation/GB:		4 WAYS FLYGHT TRIM SWITCH + VALIDATION		Dispatching 01
Department:		Design by		T_VINARD 06/10/2005		DATA SHEET
CT		Verif. by		A_BONNARD 06/10/2005		Index C Format A2 Folio 1/1
NATO code: FA0X2		Authorized by		Non Applic.		FT83452561GB