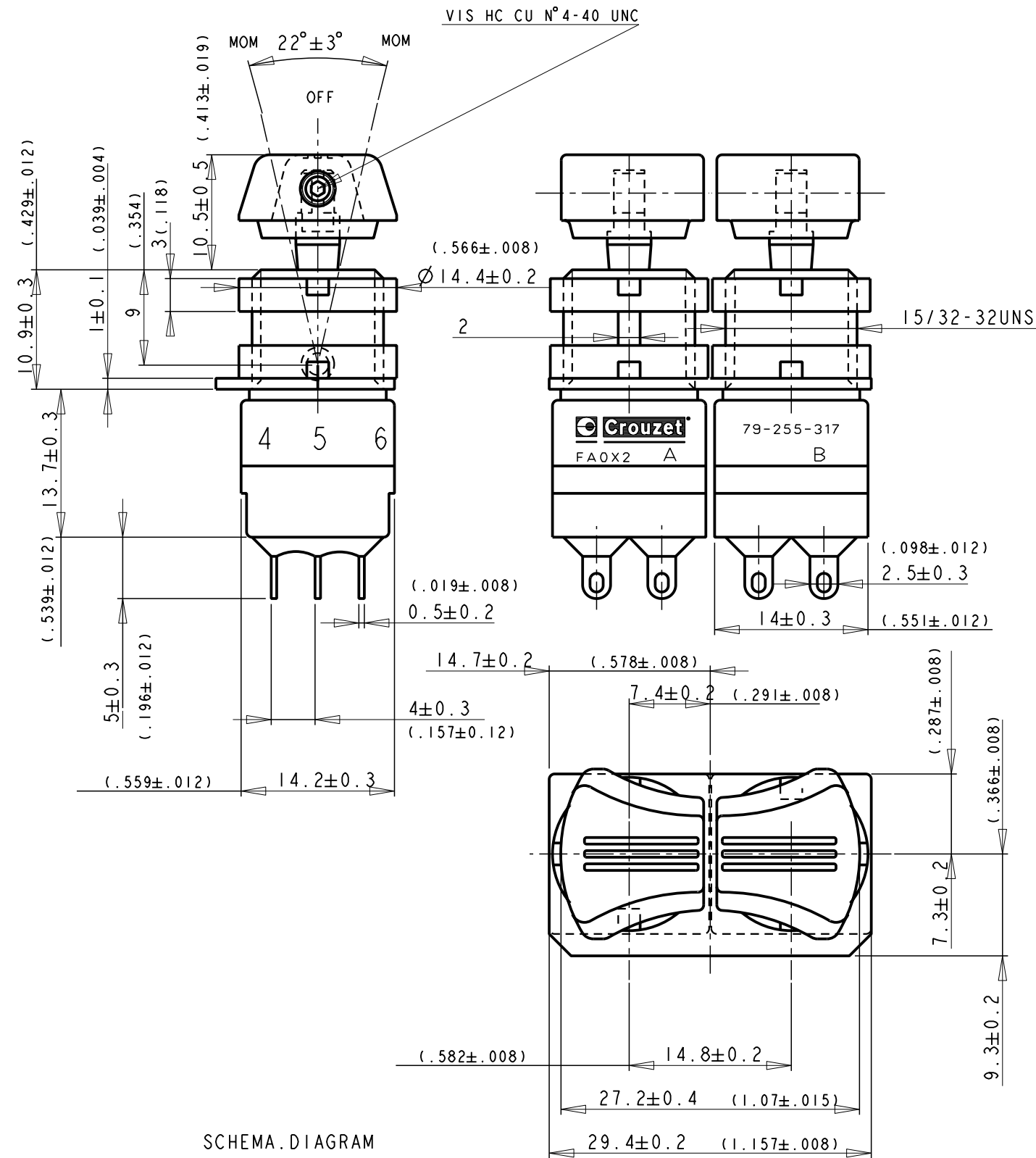


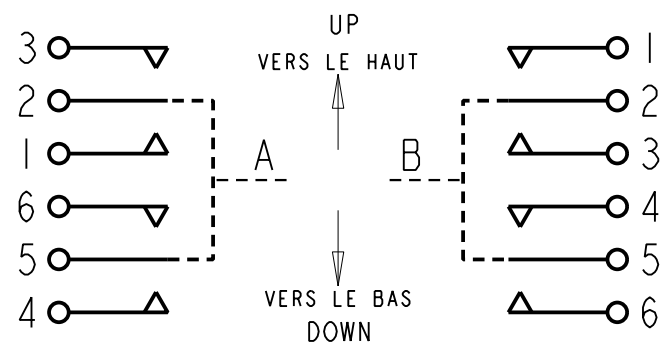
CE DOCUMENT EST LA PROPRIETE DE LA SOCIETE CROUZET. IL NE PEUT ETRE REPRODUIT OU COMMUNIQUE SANS SON AUTORISATION. LES DESCRIPTIONS ET CARACTERISTIQUES FIGURANT SUR CE DOCUMENT SONT DONNEES UNIQUEMENT A TITRE D'INFORMATION ET NON D'ENGAGEMENT CONTRACTUEL. CROUZET SE RESERVE LE DROIT D'EFFECTUER SANS PREAVIS, TOUTE MODIFICATION - TOUTS DROITS DE REPRODUCTION RESERVES POUR TOUTS PAYS. THIS DOCUMENT IS THE PROPERTY OF CROUZET-AUTOMATISMES. ITS CONTENTS CANNOT BE REPRODUCED OR DIVULGED WITHOUT THE COMPANY'S WRITTEN APPROVAL. THE PRODUCT DATA AND SPECIFICATIONS FOUND ON THIS DOCUMENT DO NOT CONSTITUTE ANY CONTRACTUAL OBLIGATION. CROUZET-AUTOMATISMES AND ITS SUBSIDIARIES RESERVE THE RIGHT TO MODIFY THE SPECIFICATIONS ALL RIGHTS OF REPRODUCTION, MODIFICATION OR REPRINTING AND TRANSLATION RESERVED FOR ALL COUNTRIES.

FICHE TECHNIQUE DATA SHEET

CROUZET Type : 79-255-317
 DOUBLE INVERSEUR A 3 POSITIONS, TETRAPOLAIRE
 DOUBLE ACTION
 TOGGLE 3 POSITION, FOUR POLE, DOUBLE THROW
 DUAL ACTION



SCHEMA. DIAGRAM



CARACT. GENERALES
 -TEMPERATURE D'EMPLOI
 -TEMPERATURE DE STOCKAGE
 -MASSE
 -POUSOIR NOIR
 -COSSES A SOUDER
 -ETANCHEITE FRONTALE

GENERAL CHARACT.
 -AMBIANT TEMPERATURE RANGE -40° TO 70°
 -STORAGE TEMPERATURE -55° TO 85°
 -MASS 40g
 -BLACK BUTTON
 -SOLDER TERMINAL
 -FRONTAL WATERTIGHT

CARACT. MECANIKES

MECHANICAL CHARACT.

-ENDURANCE MECANIQUE
 -COURSE TOTALE
 -FORCE DE COMMANDE (CHAQUE VOIE)

-MECHANICAL CHARACT. 100000 CYCLES
 -TOTAL TRAVEL ±12.5°
 -OPERATING FORCE (EACH WAY) 1.85 daN/mm(1.6lbs/in)

CARACT. ELECTRIQUES

ELECTRICAL CHARACT.

-TENSION D'ALIMENTATION
 -POUVOIR DE COUPURE
 CIRCUIT RESISTIF
 CIRCUIT SELFIQUE
 -CHARGE NOMINALE DU CONTACT
 -ENDURANCE ELECTRIQUE
 -RESISTANCE DE CONTACT INITIALE

-NOMINAL VOLTAGE 28 VDC
 -ELECTICAL RATING
 RESISTIVE CIRCUIT 1.6mA (0.8mA MINIMUM)
 INDUCTIVE CIRCUIT .
 -CONCAT RATING 0.5 A RESISTIVE AT 28 VDC
 -ELECTRICAL ENDURANCE 100000 CYCLES
 -INITIAL CONTACT RESISTANCE 10mΩ MAX.

SWITCH DE BASE: | APEM 12147 AD2GK6
 BASIC SWITCH: |

QUALIFICATION SUIVANT:
 BASIC SWITCH QUALIFIED UNDER: | MIL XX

FICHE TECHNIQUE FABRICANT APEM:
 APEM MANUFACTURER DATA SHEET: |

NOTA: ENSEMBLE POUSSOIR : 79-255-399
 KIT BUTTON

Div: CA
 Dep: CT

A	MAJ. POUSSOIR	JUNILLON 25-JAN-96	B	CTP433;AJ.KIT BUTTON 79255399 AJ MASSE 40g	JUNILLON 14-OCT-98
Echelle SCALE		2	ft: A3		CODE ENTREPRISE : NATO CODE : FAOX2
Etabli par Design by		JUNILLON	12 01 95	CODE FT79255317	
Verifie par Approved by		CM	12 01 95		