

Control stamp
Manufacturing date (YY-WW)

Generals characteristics :

Temperature range -40 °C to +70 °C
Storage temperature -55 °C to +85 °C
Button color RED, RAL 3020
Mass 20g max

Mechanicals characteristics :

Endurance 150 000 cycles
Operating force 3.3N - 8.9N (8 Oz - 32 Oz)
Release force 1.1N (4 Oz)

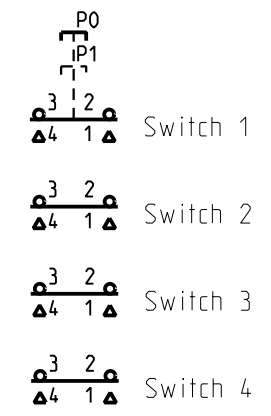
Electricals characteristics :

Nominal voltage 14V DC - 28 V DC
Rating 1mA to 1A resistive
Endurance 100 000 cycles

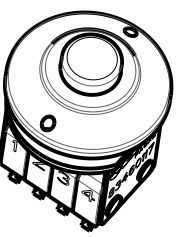
Basic switches :

OTTO B3-12141

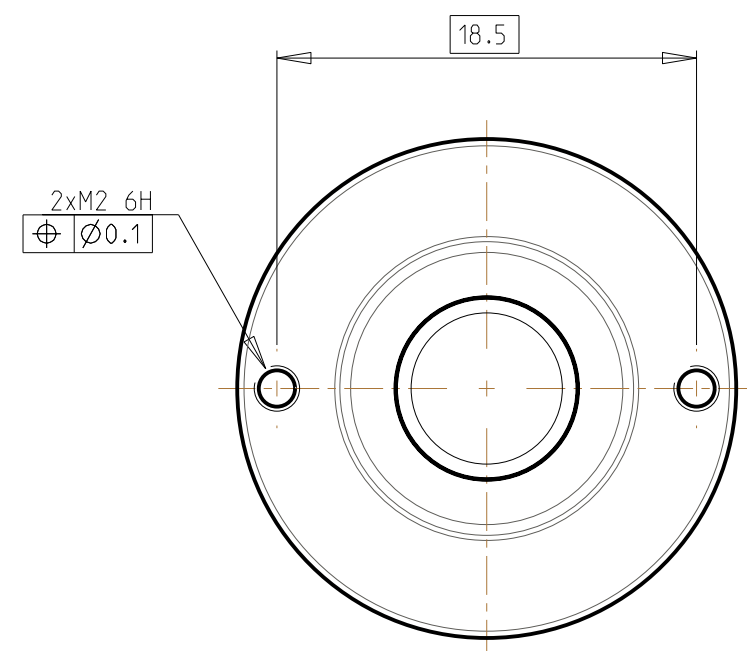
Electrical diagram :



SCALE 1/1



83460117
Product:



A	Created object.		Modified by	T_VINARD	10/02/2011
			Verified by	P_GIROUD	10/02/2011
		Authorized by	NON APPLIC.		
Toler. gene. lin ± 0.3 mm		<p>This document is the property of Crouzet-Automatismes. It's contents cannot be reproduced or divulged without the company's written approval. The product data and specifications found on this document do not constitute any contractual obligation. Crouzet-Automatismes and its subsidiaries reserve the right to modify the specifications. All rights of reproduction, modification, reprinting, and translation reserved for all countries.</p>			
Toler. gene. Ang ± 3 degrees					
		General Raw surface		Ra ✓	
2, rue du Dr ABEL BP 59, 26902, Valence CEDEX 9 France		Customer:		Customer Ref.:	
		Designation/FR:		BOUTON POUSSOIR QUADRIPOLAIRE VERGE	
		Designation/GB:		VIRGIN QUADRIPOLAR PUSH BUTTON	
Department:		Design by T_VINARD 10/02/2011		PFT001:0<C>;0<M>	
CT		Verif. by P_GIROUD 10/02/2011		Dispatching 01	
NATO code: FAOX2		Authorized by NON APPLIC.		Index Format Folio	
				A A3 1/1	

DATA SHEET
FT83460117GB