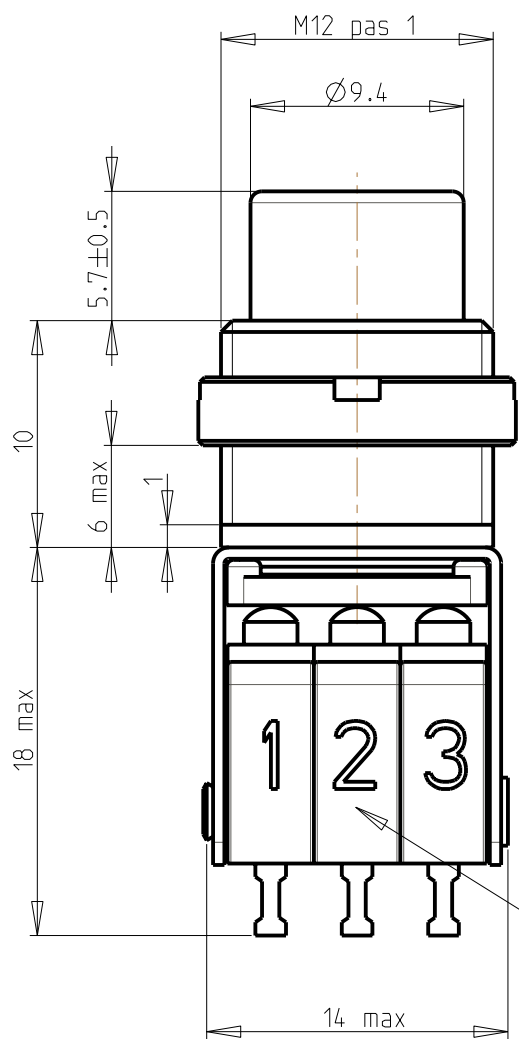
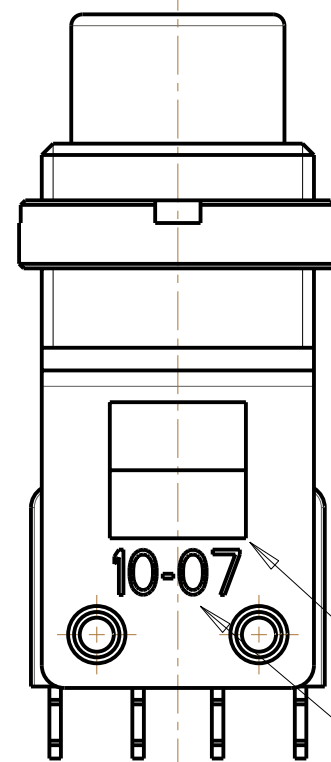


Code produit

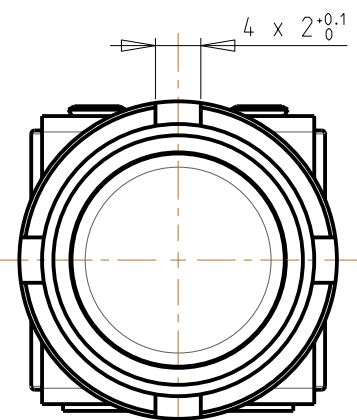


Repère N° switch

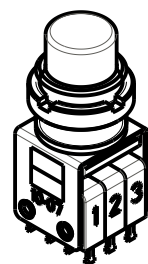


Tampon de controle

Date de fabrication (AA-SS)



ECHELLE 1/1



Caractéristiques générales :

Température d'utilisation -40 °C to +70 °C
 Température de stockage -55 °C to +85 °C
 Couleur bouton NOIR
 Masse 20g max

Caractéristiques mécaniques :

Endurance 1 000 000 cycles
 Force de commande 6.7N max

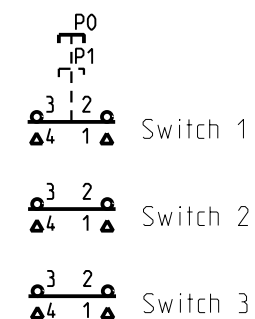
Electrical characteristics :

Nominal voltage 14V DC - 28 V DC
 Rating 3mA to 5A resistive
 3A inductive (L/R=0.026)
 Endurance 50 000 cycles full loads

Switch de base :

OTTO B3-12141

Diagramme électrique :



83460115
 Product:

C	Suite à demande client, hauteur poussoir devient 5.7±0.5.		Modified by	T_VINARD	29/03/2010
			Verified by	B_TAILLET	29/03/2010
			Authorized by	NON APPLIC.	
Toler. gene. lin ± 0.3 mm		This document is the property of Crouzet-Automatismes. It's contents cannot be reproduced or divulged without the company's written approval. The product data and specifications found on this document do not constitute any contractual obligation. Crouzet-Automatismes and its subsidiaries reserve the right to modify the specifications. All rights of reproduction, modification, reprinting, and translation reserved for all countries.			
Toler. gene. Ang ± 3 degrees					
General Raw surface Ra ✓		Scale 3/1			
2, rue du Dr ABEL BP 59, 26902, Valence CEDEX 9 France		Customer:		Customer Ref.:	
Department: CT		Designation/FR: BOUTON POUSSOIR TRIPOLAIRE Designation/GB:		PFT001:x<C>;y<M> Dispatching 01	
Design by T_VINARD 12/02/2010 Verif. by A_BONNARD 12/02/2010		Authorized by NON APPLIC.		DATA SHEET FT83460115FR	
NATO code: FAOX2				Index	Format
				C	A3
				Folio	1/1