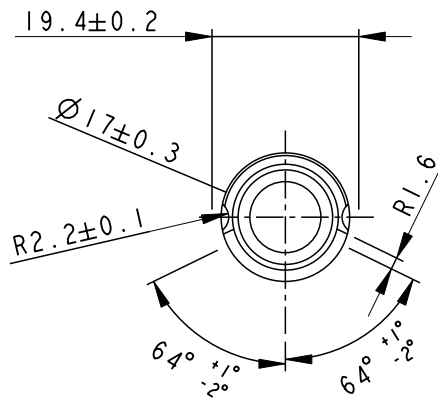
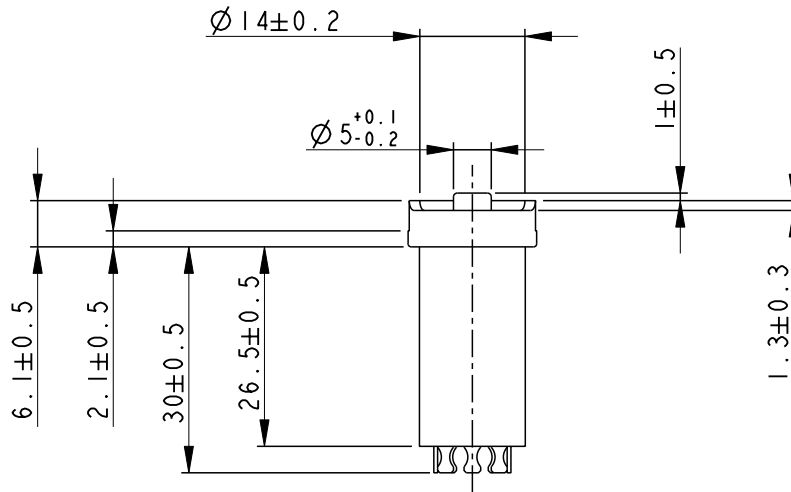


WATERPROOF, PUSH-BUTTON
 CHANGE-OVER, TACTILE-EFFECT
 TWO-POLE + PROTECTION



POUSSOIR NOIR
 ENDURANCE MECANIQUE: 100000 CYCLES
 ETANCHEITE FACE AVANT SUIVANT:
 MIL STD 810 D-506.2 METHODE 2
 AUTRES CARACTERISTIQUES, IDENTIQUE A :

BLACK BUTTON
 MECHANICAL STRENGTH: 100000 CYCLES
 WATERPROOF FRONT FACE IN COMFORMITY WITH:
 MIL STD 810 D-506.2 METHODE 2
 OTHER CHARACTERISTICS IDENTICAL TO :

FT83453516

Reference	83453518
-----------	----------

A	CREATION DE L'OBJET				Modified by	M_VERDIER	06/04/2010				
					Verified by	P_GIROUD	06/04/2010				
				Authorized by	NON APPLIC.						
First Product	This document is the property of Crouzet-Automatismes. Its contents cannot be reproduced or divulged without the company's written approval.										
83453518	PFT001:x<C>;y<M>	Toler. gene. Lin \pm	mm	General Raw surface	Ra <input checked="" type="checkbox"/>	derogation	NO	Format	A4	Scale	1/1
		Toler. gene. Ang \pm	degrees								
		Designation/FR: BP BIPOLAIRE ETANCHE NOIR BN + CACHE									
		Designation/GB:									
Dispatching	01	2, rue du Dr ABEL BP 59, 26902, Valence CEDEX 9 France		Designed by	M_VERDIER	06/04/2010	Reference			Index	Folio
				Verified by	P_GIROUD	06/04/2010	FT83453518FR			A	1/1
Department:	CT		Authorized by		NON APPLIC.						