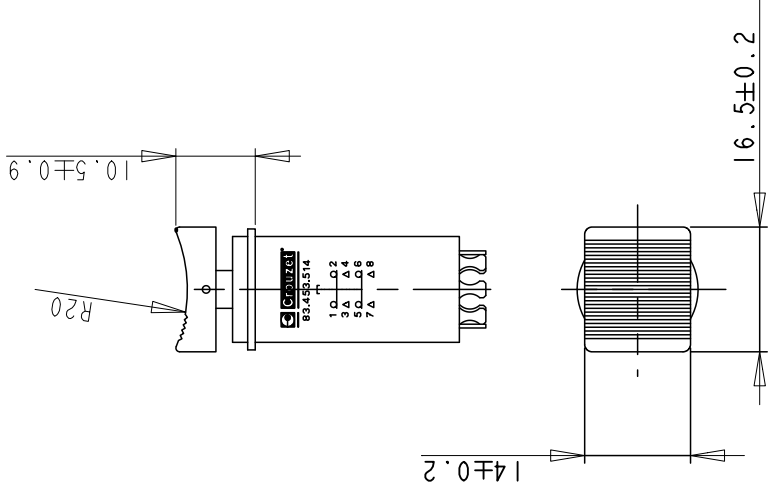


A

A



B

B

POUSSOIR NOIR

BLACK PUSH-BUTTON

ETANCHEITE FACE AVANT SUIVANT :

WATERPROOF FRONT FACE IN CONFORMITY

MIL STD 810 D-506.2 METHODE 2

WITH : MIL STD 810 D-506.2 METHODE 2

ENDURANCE MECANIQUE : 50000 CYCLES

MECHANICAL ENDURANCE : 50000 CYCLES

FORCE DE COMMANDE : 16N MAX.

CONTROL FORCE : 16N MAX.

FORCE DE RELACHEMENT : 4N MIN.

RELEASE FORCE : 4N MIN.

AUTRES CARACTERISTIQUES, IDENTIQUES A : FT83.453.501

OTHER CHARACTERISTICS IDENTICAL TO : FT83.453.501

-
-
83453514
Product:

CREATION DE L'OBJET

Modified by
Verified by
Authorized by

R-BISSLER 07/10/2002
R-JUNILLON 07/10/2002
NON APPLIC.

Toler. gene. lin ±

mm

Toler. gene. Ang ±

degres



General
Raw surface

Ra



2, rue du Dr. ABEL
BP 59, 26902,
Valence CEDEX 9
France

Customer:

Customer Ref.:

Department:

R-BISSLER 07/10/2002

CT

R-JUNILLON 07/10/2002

NATO code: FA0X2

Authorized by NON APPLIC.

Scale
1/1



*This document is the property of Crouzet-Automatismes.
It's contents cannot be reproduced or divulged without the company's written approval.
The product data and specifications found on this document
do not constitute any contractual obligation.
Crouzet-Automatismes and its subsidiaries reserve the right to modify the specifications.
All rights of reproduction, modification, reprinting, and translation reserved for all countries.*

Designation/FR: **BOUTON POUSSOIR ETANCHE A EFFET TACTILE BIPOLAIRE INVERSEUR**
Designation/GB: **WATERPROOF TACTILE-EFFECT PUSH-BUTTON TWO-POLE CHANGE-OVER**

PFT001:0<C>;0<M>

DATA SHEET

Dispatching

01

Index

A

Format

A4

Folio

1/1

FT83453514FR

1/1