

PRESENTATION

APPAREIL ETANCHE EN FACE AVANT SUIVANT
 MIL STD 810 D-506.2 Méthode 2
 BOITIER: POLYAMIDE 6.6 CHARGE DE
 30% DE FIBRE DE VERRE, NOIR
 SOCLE: PPO RENFORCE FIBRE DE VERRE, NOIR
 BOUTON: RESINE ACETALE, ROUGE
 COSSES: A SOUDER W2 EN LAITON ARGENTE
 CONTACTS: DORÉ

CARACTERISTIQUE MECANIQUES

FORCE DE COMMANDE (FC) :
 FORCE DE RELACHEMENT (FR) :
 FORCE ADMISSIBLE EN FIN DE COURSE :
 COURSE RESIDUELLE ALLER (CRA) :
 COURSE DIFFERENTIELLE (CD) :
 COURSE TOTALE (CT) :
 COURSE RESIDUELLE RETOUR (CRR) :
 ENDURANCE MECANIQUE:
 VIBRATION: SELON NORME AIR 7306 TITRE 3
 a) SINUSOIDALES: FASCICULE 41 TABLEAU 2
 b) ALEATOIRES: FASCICULE 42 FIGURE 17

CARACTERISTIQUES ELECTRIQUES

BAS NIVEAU	TENSION	28 VDC	VOLTAGE	LOW CURRENT
	COURANT	0.1 mA ↔ 500 mA	CURRENT	
	ENDURANCE ELECTRIQUE PAR DIRECTION	100 000 cycles	ELECTRICAL LIFE PER DIRECTION	

PRESENTATION

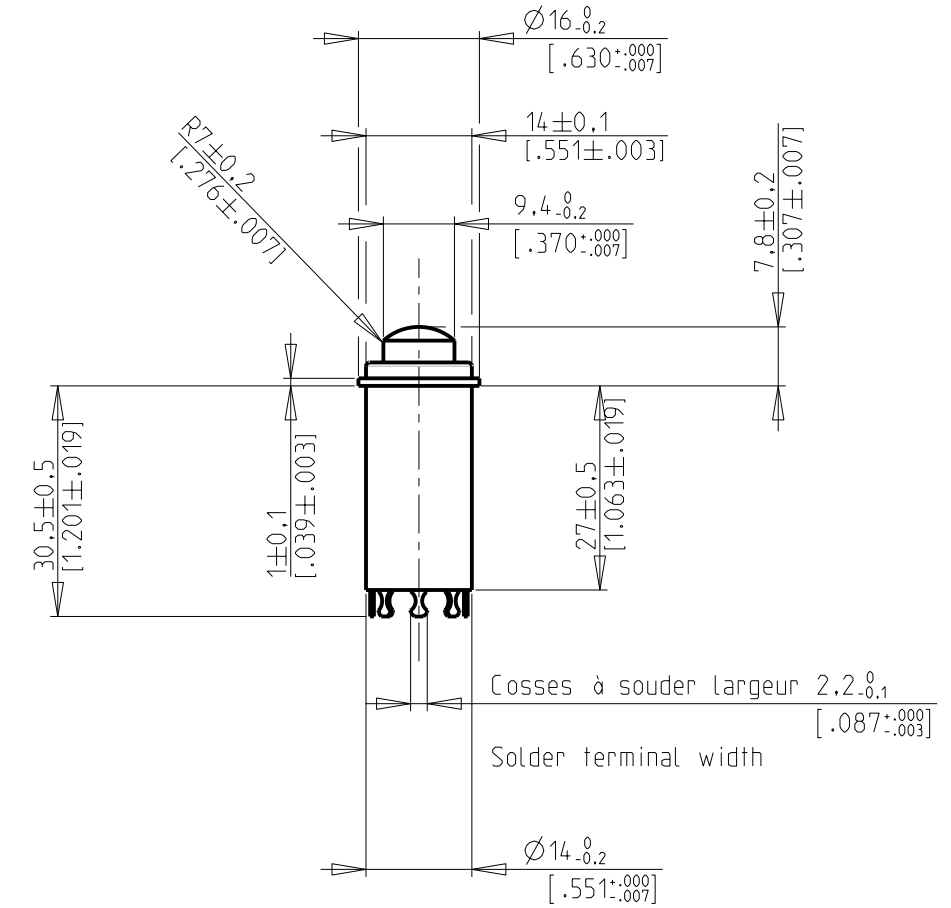
WATERPROOF OPPOSITE FRONT PUSH-BUTTON IN
 CONFORMITY WITH MIL STD 810 D-506.2 Méthode 2
 CASING: POLYAMID 6.6 REINFORCED
 WITH 30% FIBREGLASS, BLACK
 BOTTOM: PPO REINFORCED FIBREGLASS, BLACK
 BUTTON: ACETATE RESIN, RED
 SOLDER TERMINAL LUGS W2 SILVER-PLATED BRASS
 CONTACTS: GOLDED

MECHANICAL PROPERTIES

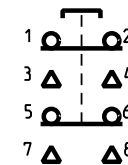
CONTROL FORCE (FC):
 RELEASE FORCE (FR):
 PERMISSIBLE FORCE AT END OF TRAVEL:
 OVERTRAVEL (CRA):
 DIFFERENTIAL TRAVEL (CD):
 TOTAL TRAVEL (CT):
 RETURN TRAVEL
 MECHANICAL STRENGTH:
 VIBRATION: IN ACCORDANCE WITH AIR 7306 TITRE 3
 a) SINUSOIDAL: PRT 41 TABLE 2
 b) RANDOM: PRT 42 SCHEME 17

ELECTRICAL PROPERTIES

12N MAX
 3N MIN
 100N
 0.4mm MIN
 1.4mm MAX
 2.2mm ±0.4
 0.4mm MIN
 100 000 CYCLES



Schematic diagram



CARACTERISTIQUE GENERALES

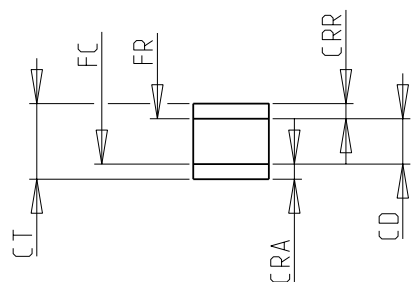
TEMPERATURE D'EMPLOI :
 TEMPERATURE DE STOCKAGE :
 MASSE :

GENERAL PROPERTIES

OPERATING TEMPERATURE:
 STORAGE TEMPERATURE:
 MASSE:

-40 °C ↔ +70 °C
 -55 °C ↔ +85 °C
 0.0070Kg ±5%

TRAVEL SCHEME



83453021

Product:

H	CTP 9463 : CORRECTION CONTACTS OR/GOLD --> DORÉ/GOLDED		Modified by	F_MONCHAL	22/06/2011
			Verified by	B_TAILLET	22/06/2011
			Authorized by	Non Applic.	
Toler. gene. Lin ±		mm	This document is the property of Crouzet-Automatismes. It's contents cannot be reproduced or divulged without the company's written approval. The product data and specifications found on this document do not constitute any contractual obligation. Crouzet-Automatismes and its subsidiaries reserve the right to modify the specifications. All rights of reproduction, modification, reprinting, and translation reserved for all countries.		
Toler. gene. Ang ±		degrees			
General Raw surface Ra ✓					Scale 1/1
2, rue du Dr ABEL BP 59, 26902, Valence CEDEX 9 France		Customer:		Customer Ref.:	
		Designation/FR: BOUTON POUSSOIR ROUGE BIPOLAIRE ETANCHE A EFFET TACTILE		PFT001:x<C>;y<M>	
		Designation/GB: WATERPROOF RED PUSH-BUTTON TWO-POLES WITH TACTILE EFFECT		Dispatching 01	
Department: CT		Design by T_VINARD 03/10/2005	FICHE TECHNIQUE - DATA SHEET		
		Verif. by F_MONCHAL 03/10/2005	FT83453021GB		
NATO code: FA0X2		Authorized by Non Applic.			