

PRESENTATION

APPAREIL ETANCHE EN FACE AVANT
BOITIER: POLYAMIDE 6.6 CHARGE DE
30% DE FIBRE DE VERRE, NOIR
SOCLE: PPO RENFORCE FIBRE DE VERRE, NOIR
BOUTON: RESINE ACETALE, NOIR
COSSES: A SOUDER W2 EN LAITON ARGENTE
CONTACTS: OR

CARACTERISTIQUE MECANIKES

FORCE DE COMMANDE (FC) :
FORCE DE RELACHEMENT (FR) :
FORCE ADMISSIBLE EN FIN DE COURSE :
COURSE RESIDUELLE ALLER (CRA) :
COURSE DIFFERENTIELLE (CD) :
COURSE TOTALE (CT) :
COURSE RESIDUELLE RETOUR (CRR) :
ENDURANCE MECANIQUE:
VIBRATION: SELON NORME AIR 7306 TITRE 3
a) SINUSOIDALES: FASCICULE 41 TABLEAU 2
b) ALEATOIRES: FASCICULE 42 FIGURE 17

CARACTERISTIQUES ELECTRIQUES

BAS NIVEAU	TENSION	28 VDC	VOLTAGE	LOW CURRENT
	COURANT	0.1 mA à 500 mA	CURRENT	
	ENDURANCE ELECTRIQUE PAR DIRECTION	100 000 cycles	ELECTRICAL LIFE PER DIRECTION	

CARACTERISTIQUE GENERALES

TEMPERATURE D'EMPLOI :
TEMPERATURE DE STOCKAGE :
MASSE :

PRESENTATION

WATERPROOF OPPOSITE FRONT PUSH-BUTTON
CASING: POLYAMID 6.6 REINFORCED
WITH 30% FIBREGLASS, BLACK
BOTTOM: PPO REINFORCED FIBREGLASS, BLACK
BUTTON: ACETATE RESIN, BLACK
SOLDER TERMINAL LUGS W2 SILVER-PLATED BRASS
CONTACTS: GOLD

MECHANICAL PROPERTIES

CONTROL FORCE (FC):
RELEASE FORCE (FR):
PERMISSIBLE FORCE AT END OF TRAVEL:
OVERTRAVEL (CRA):
DIFFERENTIAL TRAVEL (CD):
TOTAL TRAVEL (CT):
RETURN TRAVEL
MECHANICAL STRENGTH:
VIBRATION: IN ACCORDANCE WITH AIR 7306 TITRE 3
a) SINUSOIDAL: PRT 41 TABLE 2
b) RANDOM: PRT 42 SCHEME 17

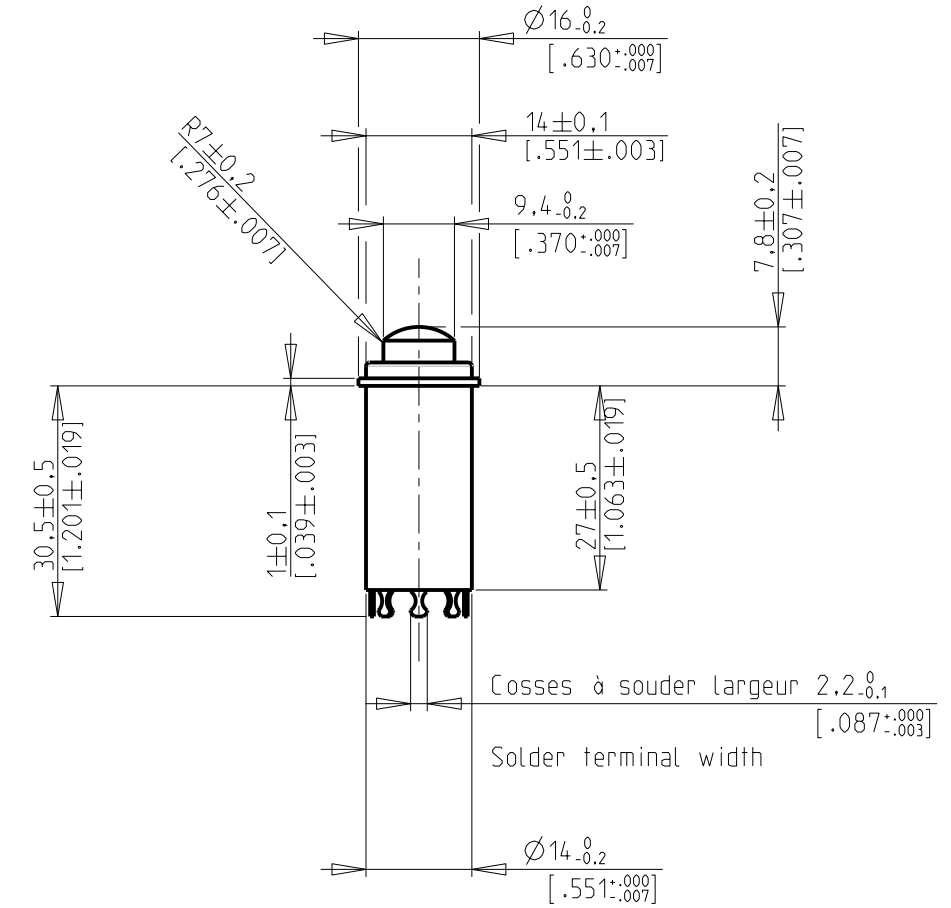
ELECTRICAL PROPERTIES

GENERAL PROPERTIES

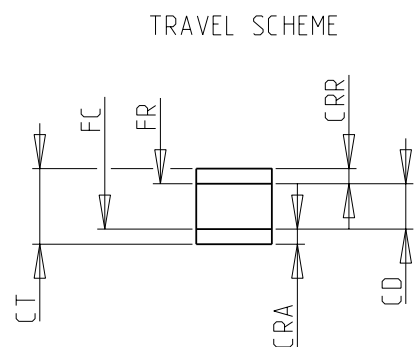
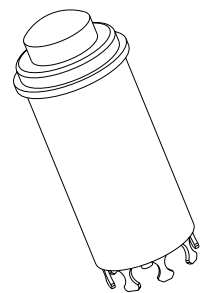
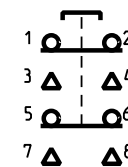
OPERATING TEMPERATURE:
STORAGE TEMPERATURE:
MASSE:

12N MAX
3N MIN
100N
0.4mm MIN
1.4mm MAX
2.2mm ±0.4
0.4mm MIN
100 000 CYCLES

-40 °C A +70 °C
-55 °C A +85 °C
0.0070Kg ±5%



Schematic diagram



83453004
Product:

A	CREATION DE L'OBJET 1A2008029	Modified by M_VERDIER 03/09/2009	Verified by A_BONNARD 03/09/2009	Authorized by NON APPLIC.
	Toler. gene. Lin ± mm	This document is the property of Crouzet-Automatismes. It's contents cannot be reproduced or divulged without the company's written approval. The product data and specifications found on this document do not constitute any contractual obligation. Crouzet-Automatismes and its subsidiaries reserve the right to modify the specifications. All rights of reproduction, modification, reprinting, and translation reserved for all countries.		
Toler. gene. Ang ± degrees	Scale 1/1			
	General Raw surface Ra ✓	Customer:	Customer Ref.:	
2, rue du Dr ABEL BP 59, 26902, Valence CEDEX 9 France	Designation/FR: BOUTON POUSSOIR BIPOLAIRE ETANCHE A EFFET TACTILE	Designation/GB: WATERPROOF PUSH-BUTTON TWO-POLE WITH TACTILE EFFECT		PFT001:0<C>;0<M>
Department: CT	Design by M_VERDIER 03/09/2009	Verif. by A_BONNARD 03/09/2009		Dispatching 01
NATO code: FA0X2	Authorized by NON APPLIC.	FICHE TECHNIQUE - DATA SHEET		Index A
FT83453004GB				Format A3
				Folio 1/1