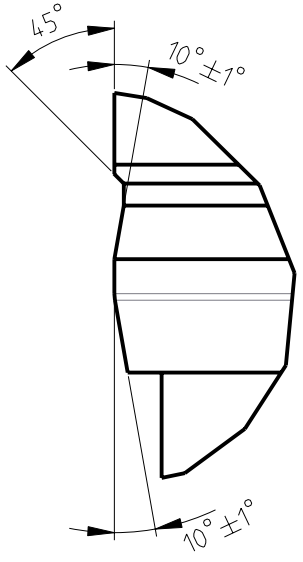
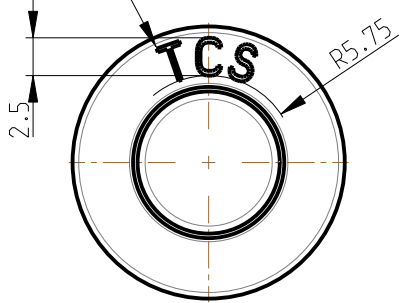


DETAIL A
ECHELLE 5/1



Laser engraved



SCALE 1/1



OTHER CHARACTERISTICS IDENTICAL TO :

FT8345001FR

83450401
Product:

A	Create data sheet.	Modified by	T_VINARD	03/02/2014
	NDL C.C.T.DEF.01659.FR	Verified by	S_FOIN	03/02/2014
	--	Authorized by	--	--/--/----

Toler. gene. lin	\pm	0.1	mm
Toler. gene. Ang	\pm	2	degrees

This document is the property of Crouzet-Automatismes.
It's contents cannot be reproduced or divulged without the company's written approval.
The product data and specifications found on this document do not constitute any contractual obligation.
Crouzet-Automatismes and its subsidiaries reserve the right to modify the specifications.
All rights of reproduction, modification, reprinting, and translation reserved for all countries

Scale
2/1

Crouzet
2 rue du Dr Abel
CS 60059
26902 Valence
Cedex 9
France

General Raw surface Ra ✓

Customer:
Designation/FR:
Designation/GB:

Designed by T_VINARD 03/02/2014
Verified by S_FOIN 03/02/2014
Authorized by -- --/--/----

Customer Ref.:
BOUTON POUSSOIR NOIR QF
PUSH-BUTTON BLACK QF

DATA SHEET
FT83450401GB

PFT001:0<C>;0<M>
Dispatching --
Index Format Folio
A A4 1/1