

**PRESENTATION**

APPAREIL NON ETANCHE  
BOITIER: POLYAMIDE 6.6 CHARGE DE  
30% DE FIBRE DE VERRE, NOIR  
SOCLE: PPO RENFORCE FIBRE DE VERRE, NOIR  
BOUTON: RESINE ACETALE, ROUGE  
COSSES: A SOUDER W2 EN LAITON ARGENTE  
CONTACTS: ARGENT

**CARACTERISTIQUE MECANIQUES**

FORCE DE COMMANDE (FC) :  
FORCE DE RELACHEMENT (FR) :  
FORCE ADMISSIBLE EN FIN DE COURSE :  
COURSE RESIDUELLE ALLER (CRA) :  
COURSE DIFFERENTIELLE (CD) :  
COURSE TOTALE (CT) :  
COURSE RESIDUELLE RETOUR (CRR) :  
ENDURANCE MECANIQUE:  
VIBRATION: SELON NORME AIR 7306 TITRE 3  
a) SINUSOIDALES: FASCICULE 41 TABLEAU 2  
b) ALEATOIRES: FASCICULE 42 FIGURE 17

**CARACTERISTIQUES ELECTRIQUES**

ENDURANCE ELECTRIQUE:  
\* RESISTANCE DE CONTACT:  
(1) ENDURANCE ELECTRIQUE:  
POUR UNE CHUTE DE TENSION DE 300mV MAX. A 2A  
DIELECTRIQUE:

	CHANGE-OVER		NORMALY OPEN	
	30VDC	115VAC 400HZ	30VDC	115VAC 400HZ
CURRENT				
LAMP	2.5A	2.5A	3.5A	3.5A
RESISTOR	5A	5A	7.5A	7.5A
SELF-INDUC(1)	2A	2A	2A	2A

MINIMUM CURRENT: 0.5mA under 5VDC \*

**CARACTERISTIQUE GENERALES**

TEMPERATURE D'EMPLOI :  
TEMPERATURE DE STOCKAGE :  
MASSE :

**PRESENTATION**

NON-WATERPROOF PUSH-BUTTON  
CASING: POLYAMID 6.6 REINFORCED  
WITH 30% FIBREGLASS, BLACK  
BOTTOM: PPO REINFORCED FIBREGLASS, BLACK  
BUTTON: ACETATE RESIN, RED  
SOLDER TERMINAL LUGS W2 SILVER-PLATED BRASS  
CONTACTS: SILVER

**MECHANICAL PROPERTIES**

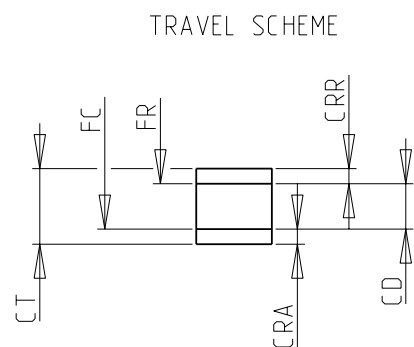
CONTROL FORCE (FC):  
RELEASE FORCE (FR):  
PERMISSIBLE FORCE AT END OF TRAVEL:  
OVERTRAVEL (CRA):  
DIFFERENTIAL TRAVEL (CD):  
TOTAL TRAVEL (CT):  
RETURN TRAVEL  
MECHANICAL STRENGTH:  
VIBRATION: IN ACCORDANCE WITH AIR 7306 TITRE 3  
a) SINUSOIDAL: PRT 41 TABLE 2  
b) RANDOM: PRT 42 SCHEME 17

**ELECTRICAL PROPERTIES**

ELECTRICAL STRENGTH:  
\* CONTACT RESISTANCE:  
(1) ELECTRICAL STRENGTH :  
FOR VOLTAGE DROP 300mV. MAX AT 2A  
DIELECTRIC STRENGTH:

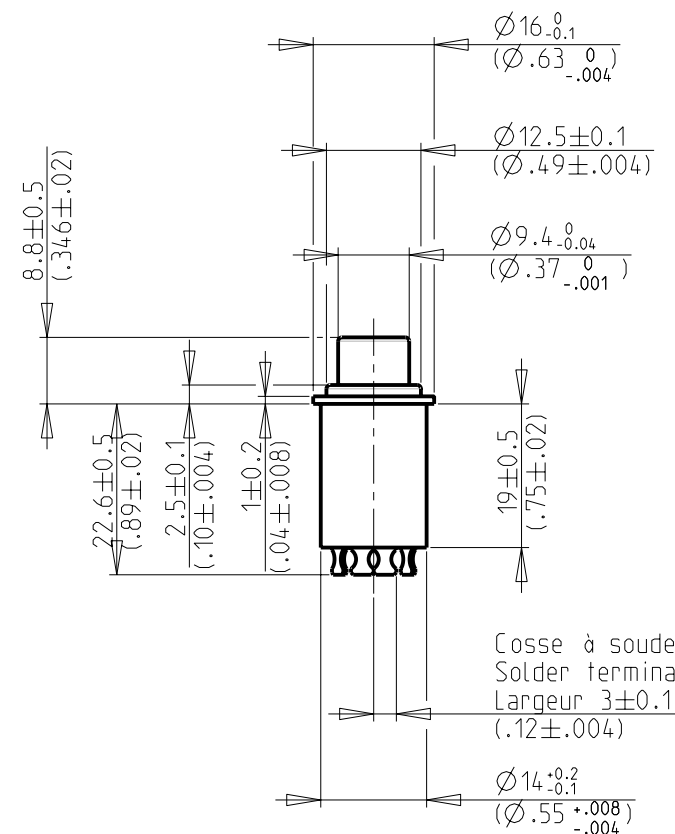
**GENERAL PROPERTIES**

OPERATING TEMPERATURE:  
STORAGE TEMPERATURE:  
MASSE:



12N MAX  
3N MIN  
100N  
0.4mm MIN  
1mm MAX  
2mm ±0.4  
0.4mm MIN  
300 000 CYCLES

100 000 CYCLES  
IN ACCORDANCE WITH MIL 8805 D  
60 000 CYCLES  
1200V



Cosse à souder  
Solder terminal  
Largeur 3±0.1  
(.12±.004)

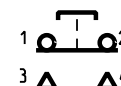
Fiche d'équipement AIR

HOMOLOGATION

6.536.100

AIR equipment sheet

Schematic diagram



Product:  
**83450002**

<b>D</b>	Mise à jour traduction. "PROTECTED" devient "NON-WATERPROOF".	Modified by	T_VINARD	12/04/2006
	Mise à jour du plan. CTP6433.	Verified by	A_BONNARD	12/04/2006
		Authorized by	NON APPLIC.	
Toler. gene. Lin ± mm		This document is the property of Crouzet-Automatismes. It's contents cannot be reproduced or divulged without the company's written approval. The product data and specifications found on this document do not constitute any contractual obligation. Crouzet-Automatismes and its subsidiaries reserve the right to modify the specifications. All rights of reproduction, modification, reprinting, and translation reserved for all countries.		
Toler. gene. Ang ± degrees				
	General Raw surface Ra ✓	Scale 1/1		
2, rue du Dr ABEL BP 59, 26902, Valence CEDEX 9 France	Customer:	Customer Ref.:		
Department:	Design by L_GUILHOT 03/04/2000	<b>BOUTON POUSSOIR A EFFET TACTILE CONTACTEUR UNIPOLAIRE</b>		PFT001:0<C>;0<M>
CT	Verif. by M_DOREY 04/04/2000	<b>TACTILE EFFECT PUSH-BUTTON SINGLE POLE CHANGE OVER</b>		Dispatching <b>01</b>
NATO code: FA0X2	Authorized by Non Applic.	<b>FICHE TECHNIQUE - DATA SHEET</b>		Index <b>D</b> Format <b>A3</b> Folio <b>1/1</b>
		<b>FT83450002FR</b>		