

PRESENTATION

APPAREIL NON ETANCHE
BOITIER: POLYAMIDE 6.6 CHARGE DE 30% DE FIBRE DE VERRE, NOIR
SOCLE: PPO RENFORCE FIBRE DE VERRE, NOIR
BOUTON: RESINE ACETALE, NOIR
COSSES: A SOUDER W2 EN LAITON ARGENTE
CONTACTS: ARGENT

CARACTERISTIQUE MECANIQUES

FORCE DE COMMANDE (FC) :
FORCE DE RELACHEMENT (FR) :
FORCE ADMISSIBLE EN FIN DE COURSE :
COURSE RESIDUELLE ALLER (CRA) :
COURSE DIFFERENTIELLE (CD) :
COURSE TOTALE (CT) :
COURSE RESIDUELLE RETOUR (CRR) :
ENDURANCE MECANIQUE:
VIBRATION: SELON NORME AIR 7306 TITRE 3
a) SINUSOIDALES: FASCICULE 41 TABLEAU 2
b) ALEATOIRES: FASCICULE 42 FIGURE 17

CARACTERISTIQUES ELECTRIQUES

ENDURANCE ELECTRIQUE:
* RESISTANCE DE CONTACT:
(1) ENDURANCE ELECTRIQUE:
POUR UNE CHUTE DE TENSION DE 300mV MAX. A 2A
DIELECTRIQUE:

	CHANGE-OVER		NORMALY OPEN	
	30VDC	115VAC 400HZ	30VDC	115VAC 400HZ
CURRENT	30VDC	115VAC 400HZ	30VDC	115VAC 400HZ
LAMP	2.5A	2.5A	3.5A	3.5A
RESISTOR	5A	5A	7.5A	7.5A
SELF-INDUC(1)	2A	2A	2A	2A

MINIMUM CURRENT: 0.5mA under 5VDC *

CARACTERISTIQUE GENERALES

TEMPERATURE D'EMPLOI :
TEMPERATURE DE STOCKAGE :
MASSE :

PRESENTATION

NON-WATERPROOF PUSH-BUTTON
CASING: POLYAMID 6.6 REINFORCED WITH 30% FIBREGLASS, BLACK
BOTTOM: PPO REINFORCED FIBREGLASS, BLACK
BUTTON: ACETATE RESIN, BLACK
SOLDER TERMINAL LUGS W2 SILVER-PLATED BRASS
CONTACTS: SILVER

MECHANICAL PROPERTIES

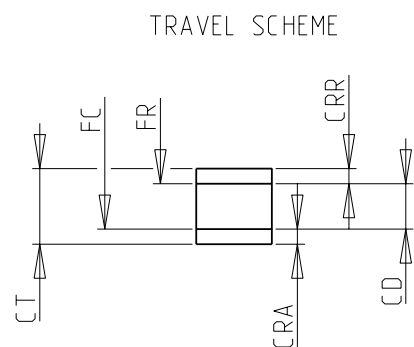
CONTROL FORCE (FC):
RELEASE FORCE (FR):
PERMISSIBLE FORCE AT END OF TRAVEL:
OVERTRAVEL (CRA):
DIFFERENTIAL TRAVEL (CD):
TOTAL TRAVEL (CT):
RETURN TRAVEL
MECHANICAL STRENGTH:
VIBRATION: IN ACCORDANCE WITH AIR 7306 TITRE 3
a) SINUSOIDAL: PRT 41 TABLE 2
b) RANDOM: PRT 42 SCHEME 17

ELECTRICAL PROPERTIES

ELECTRICAL STRENGTH:
* CONTACT RESISTANCE:
(1) ELECTRICAL STRENGTH :
FOR VOLTAGE DROP 300mV. MAX AT 2A
DIELECTRIC STRENGTH:

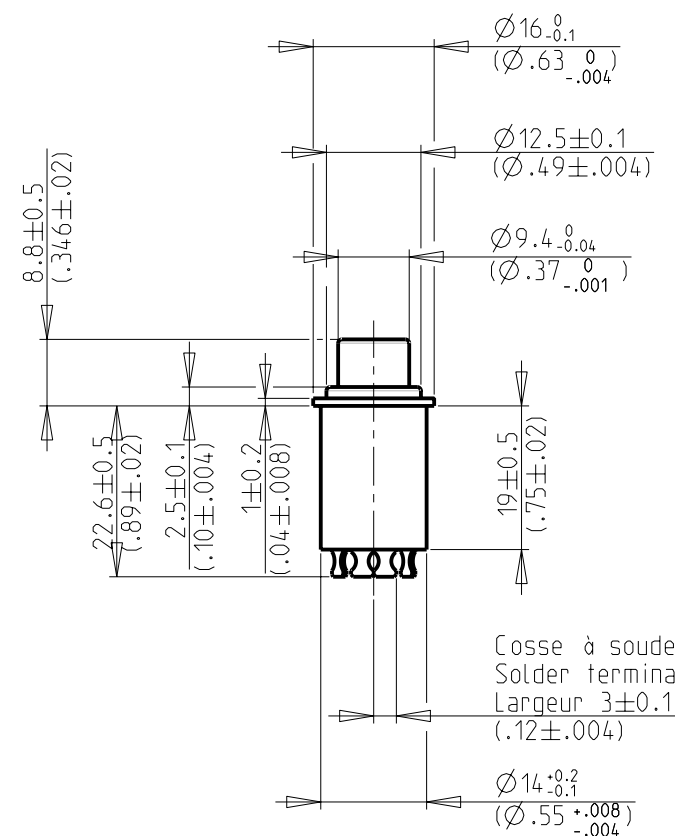
GENERAL PROPERTIES

OPERATING TEMPERATURE:
STORAGE TEMPERATURE:
MASSE:



12N MAX
3N MIN
100N
0.4mm MIN
1mm MAX
2mm ±0.4
0.4mm MIN
300 000 CYCLES

100 000 CYCLES
IN ACCORDANCE WITH MIL 8805 D
60 000 CYCLES
1200V



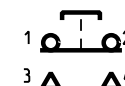
HOMOLOGATION

Fiche d'équipement AIR

AIR equipment sheet

6.536.100

Schematic diagram



Product:
83450001

D	Mise à jour traduction. "PROTECTED" devient "NON-WATERPROOF".	Modified by	T_VINARD	12/04/2006
	Mise à jour du plan. CTP6433.	Verified by	A_BONNARD	12/04/2006
		Authorized by	Non Applic.	
Toler. gene. Lin ± mm		This document is the property of Crouzet-Automatismes. It's contents cannot be reproduced or divulged without the company's written approval. The product data and specifications found on this document do not constitute any contractual obligation. Crouzet-Automatismes and its subsidiaries reserve the right to modify the specifications. All rights of reproduction, modification, reprinting, and translation reserved for all countries.		
Toler. gene. Ang ± degrees				
	General Raw surface Ra ✓	Scale 1/1		
2, rue du Dr ABEL BP 59, 26902, Valence CEDEX 9 France	Customer:	Customer Ref.:		
Department: CT	Designation/FR: BOUTON POUSSOIR A EFFET TACTILE CONTACTEUR UNIPOLAIRE	PFT001:0<C>;0<M>		
	Designation/GB: TACTILE EFFECT PUSH-BUTTON SINGLE POLE CHANGE OVER	Dispatching 01		
	Design by L_GUILHOT 03/04/2000	FICHE TECHNIQUE - DATA SHEET		
	Verif. by M_DOREY 04/04/2000	FT83450001FR		
NATO code: FA0X2	Authorized by Non Applic.	Index D	Format A3	Folio 1/1