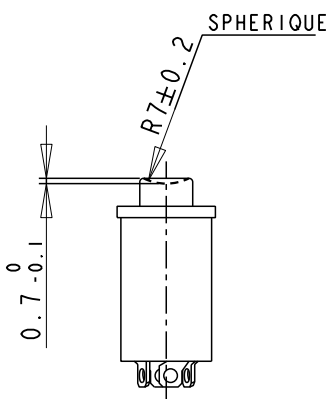


CROUZET Type : 83-450-715

BOUTON POUSSOIR ETANCHE  
A EFFET TACTILE  
INVERSEUR UNIPOLAIRE

WATERPROOF PUSH-BUTTON  
TACTILE-EFFECT  
SINGLE POLE CHANGE OVER



POUSSOIR NOIR CONCAVE

ENDURANCE MECANIQUE: 100000 CYCLES

ETANCHEITE FACE AVANT SUIVANT:

MIL STD 810 D-506.2 METHODE 2

AUTRES CARACTERISTIQUES, IDENTIQUE A :

83-450-702 FT83-450-702E

CONCAVE BLACK BUTTON

MECHANICAL STRENGTH: 100000 CYCLES

WATERPROOF FRONT FACE IN COMFORMITY WITH:

MIL STD 810 D-506.2 METHODE 2

OTHER CHARACTERISTICS IDENTICAL TO :

SPECIFIC ELECTRICAL CHARACTERISTICS	
VOLTAGE 28VCC	ELECTRICAL ENDURANCE
INDUCTIVE L/R 5ms	
I < 2A ->	
I < 2,5A ->	100 000 CYCLES
I < 3,5A ->	80 000 CYCLES
	50 000 CYCLES

-
83450715
Product:

<b>A</b>	CREATION POUR LA CTP 6521 MARQUAGE LASER	Modified by	JL_BOURGNE	08/09/2006
	ANNULE ET REMPLACE FICHE MEDUSA FT83450715	Verified by	J.RODRIGUEZ	08/09/2006
		Authorized by		

Toler. gene. lin ±	mm	<p>This document is the property of Crouzet-Automatismes. It's contents cannot be reproduced or divulged without the company's written approval. The product data and specifications found on this document do not constitute any contractual obligation. Crouzet-Automatismes and its subsidiaries reserve the right to modify the specifications. All rights of reproduction, modification, reprinting, and translation reserved for all countries.</p>	
Toler. gene. Ang ±	degrees		
	General Ra Raw surface	Scale 1/1	

2, rue du Dr ABEL BP 59, 26902, Valence CEDEX 9 France	Customer:	Customer Ref.:	PFT001:<C>;<M>			
	Designation/FR:	<b>BOUTON 83450715</b>		Dispatching	<b>01</b>	
Department:	Design by JL_BOURGNE 08/09/2006	<b>DATA SHEET</b>		Index	Format	Folio
<b>CT</b>	Verif. by J.RODRIGUEZ 08/09/2006			<b>A</b>	<b>A4</b>	1/1
NATO code: FA0X2	Authorized by	<b>FT83450715FR</b>				