

PRESENTATION

APPAREIL NON ETANCHE
BOITIER: POLYAMIDE 6.6 CHARGE DE 30% DE FIBRE DE VERRE, NOIR
SOCLE: PPO RENFORCE FIBRE DE VERRE, NOIR
BOUTON: RESINE ACETALE, ROUGE
COSSES: A SOUDER W2 EN LAITON ARGENTE
CONTACTS: ARGENT

CARACTERISTIQUE MECANIQUES

FORCE DE COMMANDE (FC) :
FORCE DE RELACHEMENT (FR) :
FORCE ADMISSIBLE EN FIN DE COURSE :
COURSE RESIDUELLE ALLER (CRA) :
COURSE DIFFERENTIELLE (CD) :
COURSE TOTALE (CT) :
COURSE RESIDUELLE RETOUR (CRR) :
ENDURANCE MECANIQUE:
VIBRATION: SELON NORME AIR 7306 TITRE 3
a) SINUSOIDALES: FASCICULE 41 TABLEAU 2
b) ALEATOIRES: FASCICULE 42 FIGURE 17

CARACTERISTIQUES ELECTRIQUES

ENDURANCE ELECTRIQUE:
* RESISTANCE DE CONTACT:
(1) ENDURANCE ELECTRIQUE:
POUR UNE CHUTE DE TENSEON DE 300mV MAX. A 2A
DIELECTRIQUE:

CURRENT	CHANGE-OVER		MINIMUM
	30VDC	115VAC 400HZ	
LAMP	2.5A	2.5A	0.5mA SOUS 5VDC MINI
RESISTOR	5A	5A	
SELF-INDUC(1)	2A	2A	*
MINIMUM CURRENT	0.5mA	0.5mA	

CARACTERISTIQUE GENERALES

TEMPERATURE D'EMPLOI :
TEMPERATURE DE STOCKAGE :
MASSE :

PRESENTATION

NON-WATERPROOF PUSH-BUTTON
CASING: POLYAMID 6.6 REINFORCED WITH 30% FIBREGLASS, BLACK
BOTTOM: PPO REINFORCED FIBREGLASS, BLACK
BUTTON: ACETATE RESIN, RED
SOLDER TERMINAL LUGS W2 SILVER-PLATED BRASS
CONTACTS: SILVER

MECHANICAL PROPERTIES

CONTROL FORCE (FC):
RELEASE FORCE (FR):
PERMISSIBLE FORCE AT END OF TRAVEL:
OVERTRAVEL (CRA):
DIFFERENTIAL TRAVEL (CD):
TOTAL TRAVEL (CT):
RETURN TRAVEL
MECHANICAL STRENGTH:
VIBRATION: IN ACCORDANCE WITH AIR 7306 TITRE 3
a) SINUSOIDAL: PRT 41 TABLE 2
b) RANDOM: PRT 42 SCHEME 17

ELECTRICAL PROPERTIES

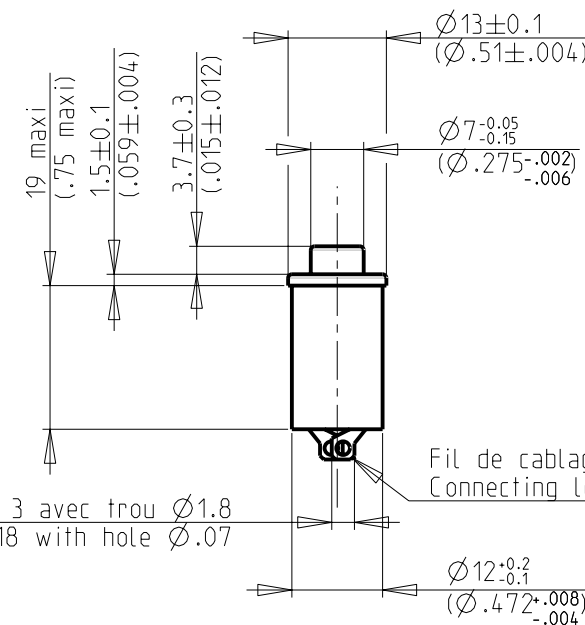
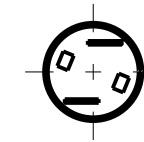
ELECTRICAL STRENGTH:
* CONTACT RESISTANCE:
(1) ELECTRICAL STRENGTH :
FOR VOLTAGE DROP 300mV. MAX AT 2A
DIELECTRIC STRENGTH:

GENERAL PROPERTIES

OPERATING TEMPERATURE:
STORAGE TEMPERATURE:
MASSE:

12N MAX
3N MIN
100N
0.4mm MIN
1.2mm MAX
2mm MIN
0.4mm MIN
300 000 CYCLES

100 000 CYCLES
IN ACCORDANCE WITH MIL 8805 D
60 000 CYCLES
1200V



Cosses à souder largeur 3 avec trou Ø1.8
Solder terminal width .118 with hole Ø.07

Fil de cablage jauge AWG 16 maxi
Connecting leads AWG 16 max.

EXIGENCES APPROUVEES

Selon AIR Standard 8461/A

EXIGENCES ACCEPTEES

Selon AIR Standard 9461

APPROVAL REQUIREMENTS

According to AIR Standard 8461/A

ACCEPTANCE REQUIREMENTS

According to AIR Standard 9461

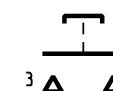
HOMOLOGATION

Fiche d'équipement AIR

6.536.110

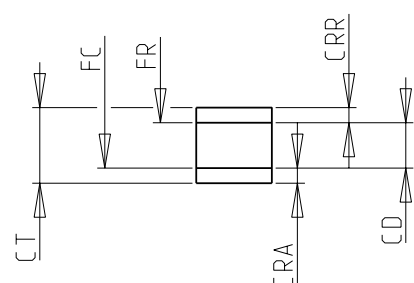
AIR equipment sheet

Schematic diagram



-
83450704
Product:

TRAVEL SCHEME



-55 °C A +85 °C
-55 °C A +85 °C
0.0036Kg ±5%

D	Mise à jour traduction. "PROTECTED" devient "NON-WATERPROOF".	Modified by	T_VINARD	12/04/2006
	Mise à jour du plan. CTP6433.	Verified by	A_BONNARD	12/04/2006
		Authorized by	Non Applic.	
Toler. gene. Lin ± mm		This document is the property of Crouzet-Automatismes. It's contents cannot be reproduced or divulged without the company's written approval. The product data and specifications found on this document do not constitute any contractual obligation. Crouzet-Automatismes and its subsidiaries reserve the right to modify the specifications. All rights of reproduction, modification, reprinting, and translation reserved for all countries.		
Toler. gene. Ang ± degrees				
	General Raw surface Ra ✓	Scale 1/1		
2, rue du Dr ABEL BP 59, 26902, Valence CEDEX 9 France		Customer:		Customer Ref.:
Department: CT		Designation/FR: BOUTON POUSSOIR A EFFET TACTILE CONTACTEUR UNIPOLAIRE		PFT001:0<C>;0<M>
		Designation/GB: TACTILE EFFECT PUSH-BUTTON SINGLE POLE CHANGE OVER		Dispatching 01
Design by L_GUILHOT 03/04/2000		FICHE TECHNIQUE - DATA SHEET		
Verif. by M_DOREY 04/04/2000		FT83450704FR		
NATO code: FA0X2		Authorized by Non Applic.		Index D Format A3 Folio 1/1