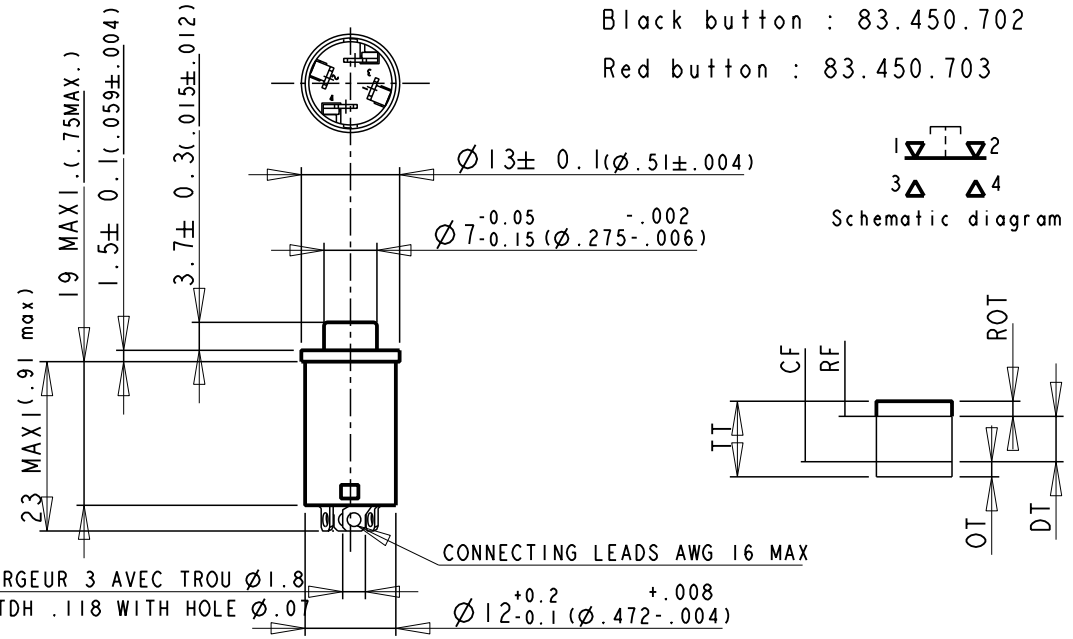


Black button : 83.450.702
 Red button : 83.450.703



COSES A SOUDER LARGEUR 3 AVEC TROU Ø 1.8
 SOLDER TERMINAL WITHD .118 WITH HOLE Ø .07
 CONNECTING LEADS AWG 16 MAX
 Ø 12 +0.2 -0.1 (Ø .472 - .004)

PRESENTATION

Non-Waterproof push-button
 Casing: polyamide 6.6 reinforced with 30% ballglass black
 Bottom: polysulfure de phenylene reinforced 40% fibreglass black
 Button: acetate resin
 Solder terminal lugs (W2) silver-plated brass
 Contacts: silver

MECHANICAL PROPERTIES

Control force (CF) : 2.67 lbs max. (12 N max.).
 Release force (RF) : .66 lbs min. (3 N min.).
 Permissible force at end of travel : 22.3 lbs (100 N).
 Operating temperature: -65 F to +180 F (-55° to +85°C).
 Mechanical strength : 300,000 cycles.
 Overtravel (OT) : .015 in min. (0.4 mm min.).
 Differential travel (DT) .047 in max (1.2 mm max.).
 Total travel (TT) : .078 in min. (2 mm min.).
 Return overtravel (ROT) : .015 in min. (0.4 mm min.).
 Weight : .126 oz (0.0036Kg)

ELECTRICAL PROPERTIES

CURRENT	CHANGE-OVER		
	30 VDC	115 VAC 400Hz	MINIMUM
Lamp	2.5A	2.5A	0.5mA sous
Resistor	5A	5A	5VDC mini
Self-induc.(I)	2A	2A	*
Minimum Current	0.5mA	0.5mA	

Electrical strength : 100,000 cycles.
 (1) Electrical strength : 60,000 cycles.
 For voltage drop 300mV max. at 2A
 Dielectric strength = 1200V
 * Contact resistance in accordance with MIL 8805 D

VIBRATIONS

In accordance with AIR 7306 title 3
 a) Sinusoidal=part 41-table 2
 b) Randon=part 42-scheme 17

APPROVAL REQUIREMENTS

According to AIR Standard 8461/A

ACCEPTANCE REQUIREMENTS

According to AIR Standard 9461

D	CREATE FOR CTP 6521 LASER MARKING ANNULE ET REMPLACE FT83450702E/C	Modified by JL_BOURGNE 21/09/2006	Verified by J_RODRIGUEZ 21/09/2006	Authorized by
	Toler. gene. lin ± mm Toler. gene. Ang ± degrees		This document is the property of Crouzet-Automatismes. It's contents cannot be reproduced or divulged without the company's written approval. The product data and specifications found on this document do not constitute any contractual obligation. Crouzet-Automatismes and its subsidiaries reserve the right to modify the specifications. All rights of reproduction, modification, reprinting, and translation reserved for all countries.	
	General Raw surface Ra ✓	Scale 1/1		
2, rue du Dr ABEL BP 59, 26902, Valence CEDEX 9 France	Customer:	Customer Ref.:		
	Designation/FR:	TACTILE EFFECT PUSH BUTTON		PFT001:<C>;<M>
	Designation/GB:			Dispatching 03
Department: CT	Design by JL_BOURGNE 21/09/2006	DATA SHEET		Index Format Folio
	Verif. by J_RODRIGUEZ 21/09/2006	FT83450702GB		D A4 1/1
NATO code: FA0X2	Authorized by			