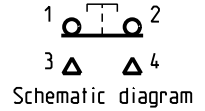
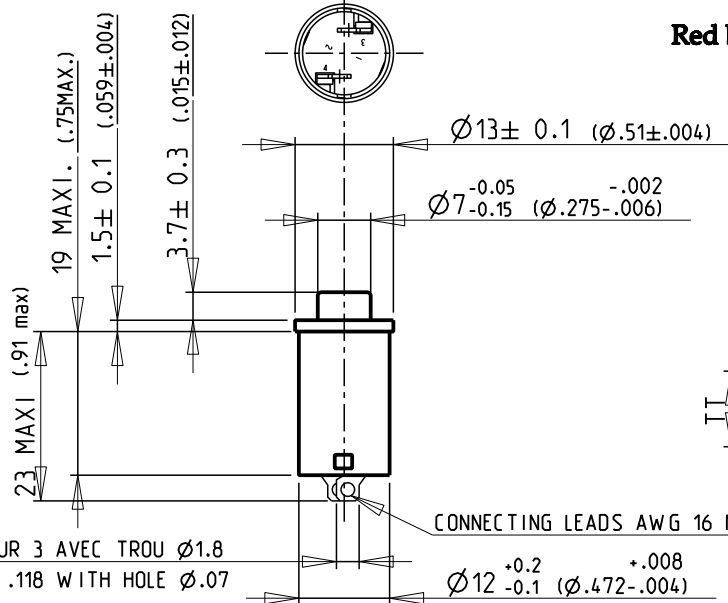


Black button : 83.450.701

Red button : 83.450.704



COSSES A SOUDER LARGEUR 3 AVEC TROU Ø1.8
SOLDER TERMINAL WIDTH .118 WITH HOLE Ø.07

PRESENTATION

- Non-Waterproof push-button
- Casing: polyamide 6.6 reinforced with 30% ballglass black
- Bottom: polysulfure de phenylene reinforced 40% fibreglass black
- Button: acetate resin
- Solder terminal lugs (W2) silver-plated brass
- Contacts: silver

MECHANICAL PROPERTIES

- Control force (CF) : 2.67 lbs max.(12 N max.).
- Release force (RF) : .66 lbs min.(3 N min.).
- Permissible force at end of travel : 22.3 lbs (100 N).
- Operating temperature: -65 F to +180 F(-55° to +85°C).
- Mechanical strength : 300.000 cycles.
- Overtravel (OT) : .015 in min.(0.4 mm min.).
- Differential travel (DT) .047 in max (1.2 mm max.).
- Total travel (TT) : .078 in min.(2 mm min.).
- Return overtravel (ROT) : .015 in min.(0.4 mm min.).
- Weight : .126 oz (0.0036Kg) ±5%

VIBRATIONS

- In accordance with AIR 7306 title 3
- a) Sinusoidal-part 41-table 2
- b) Randon-part 42-scheme 17

APPROVAL REQUIREMENTS

According to AIR Standard 8461/A

ACCEPTANCE REQUIREMENTS

According to AIR Standard 9461

ELECTRICAL PROPERTIES

CURRENT	NORMALLY OPEN		
	30 VDC	115 VAC 400Hz	MINIMUM
Lamp	3.5A	3.5A	0.5mA sous 5VDC mini
Resistor	7.5A	7.5A	*
Self-induc. (1)	2A	2A	
Minimum Current	0.5mA	0.5mA	

- Electrical strength : 100.000 cycles.
- (1) Electrical strength : 60.000 cycles.
- For voltage drop 300mV max. at 2A
- * Contact resistance in accordance with MIL 8805 D

E	CTP 9203 : SCHEMATIC DIAGRAM CORRECTION ADD NORMALLY OPEN IN DESIGNATION		Modified by	JL_BOURGNE	24/11/2008
			Verified by	J_RODRIGUEZ	24/11/2008
		Authorized by			
Toler. gene. lin ± mm		<p>This document is the property of Crouzet-Automatismes. It's contents cannot be reproduced or divulged without the company's written approval. The product data and specifications found on this document do not constitute any contractual obligation. Crouzet-Automatismes and its subsidiaries reserve the right to modify the specifications. All rights of reproduction, modification, reprinting, and translation reserved for all countries.</p>			
Toler. gene. Ang ± degrees					
	General Raw surface Ra ✓	Scale 1/1			
2, rue du Dr ABEL BP 59, 26902, Valence CEDEX 9 France		Customer:		Customer Ref.:	
Department: CT		TACTILE EFFECT PUSH BUTTON NORMALLY OPEN			PFT001:<C>;<M>
NATO code: FA0X2		DATA SHEET			Dispatching 01
Authorized by		FT83450701GB			Index Format Folio
					E A4 1/1