

PRESENTATION

APPAREIL ETANCHE EN FACE AVANT:
BOITIER ET POUSSOIR EN POLYAMIDE 6-6 NOIR
COSSES A SOUDER EN LAITON ARGENTE
CONTACTS: ARGENT

CARACTERISTIQUES MECANIKES DES 2 DIRECTIONS

FORCES : SUIVANT F

FORCE DE COMMANDE:
FORCE DE RELACHEMENT (FR):
FORCE ADMISSIBLE EN FIN DE COURSE:
TENUE DU POUSSOIR: A LA TRACTION:
A LA COMPRESSION:

ANGLE MESURE PAR RAPPORT A L'AXE DU POUSSOIR
COURSE D'APPROCHE (CA):
COURSE RESIDUELLE ALLER (CRA):
COURSE RESIDUELLE RETOUR (CRR):
ENDURANCE MECANIQUE PAR DIRECTION:
VIBRATION :SELON NORME AIR 7306 TITRE 3
a) SINUSOIDALES :FASCICULE 41 TABLEAU 2
b) ALEATOIRES :FASCICULE 42 FIGURE 17
ROTATION DU POUSSOIR AUTOUR DE L'AXE Z:

CARACTERISTIQUES MECANIKES DE LA VALIDATION

FORCES : SUIVANT Z
FORCE DE COMMANDE :
FORCE DE RELACHEMENT :
FORCE ADMISSIBLE EN FIN DE COURSE:
FORCE ADMISSIBLE A LA TRACTION :
COURSE TOTALE :
COURSE D'APPROCHE A LA COMMUTATION :

ELECTRICAL CHARACTERISTICS OF 2 CIRCUITS

ELECTRICAL ENDURANCE : 100 000 CYCLES

Voltage	30 Vdc	115 Vac 400 Hz	MINIMUM
Résistor	2A	2A	5 Vdc
sel.induc.L/R=5ms	1A	1A	
Minimum current	0.5mA	0.5mA	*

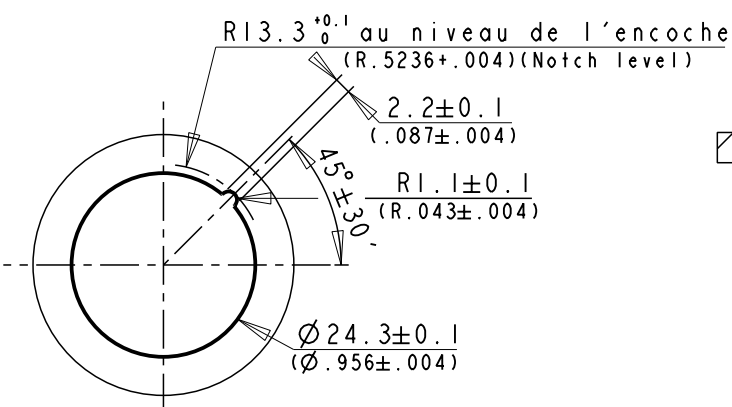
* CONTACT RESISTANCE IN ACCORDANCE WITH MIL 8805 D

CARACTERISTIQUES GENERALES

TEMPERATURE D'EMPLOI:
TEMPERATURE DE STOCKAGE:
MASSE:

**FIXATION PAR COLLAGE
ASSEMBLING BY GLUE**

USINAGE PLATINE
PLATE MACHINING



PRESENTATION

WATERPROOF FRONT FACE: MIL STD 810D-506.2 METH.2
CASING AND BUTTON POLYAMIDE 6-6 BLACK
SOLDER TERMINAL LUGS SILVER-PLATED BRASS
CONTACTS: SILVER

MECHANICALS PROPERTIES OF 2 DIRECTIONS

F (SEE FIG.)

OPERATING FORCE: 4.5N±1.5N.
REALEASE FORCE: 0.6N MIN.
PERMISSIBLE FORCE AT END OF TRAVEL: 70N MAX.
PLUNGER STRENGTHNESS: PULLING ACTION: 25N MAX.
PUSHING ACTION: 100N MAX.

ANGLE MEASURED FROM THE AXIS:
PRE TRAVEL (CA): 9°30' MAX.
OVERTRAVEL (CRA): 1°30' MIN.
RETURN OVERTRAVEL (CRR): 4° MIN.
MECHANICAL STRENGTH PER DIRECTION:
VIBRATIONS: IN ACCORDANCE WITH AIR 7306 TITRE 3
a) SINUSOIDAL=PART 41-TABLE 2
b) RANDOM=PART 42-SCHEME 17
ROTATION PUCH AROUND THE Z AXIS: 5° MAX

VALIDATION MECHANICALS PROPERTIES

Z SEE FIG.
OPERATING FORCE : 25N MAX
REALEASE FORCE: 2N MINI.
MAX. AUTHORIZED FORCE AT END OF TRAVEL: 70N MAX.
PLUNGER STRENGTHNESS:PULLING ACTION: 80N MAX.
TOTAL TRAVEL: 2mm MINI.(.078 IN.)
1.8mm MAX.(.07 IN.)
SWITCHING PRE TRAVEL:

ELECTRICAL CHARACTERISTICS OF VALIDATION CIRCUIT

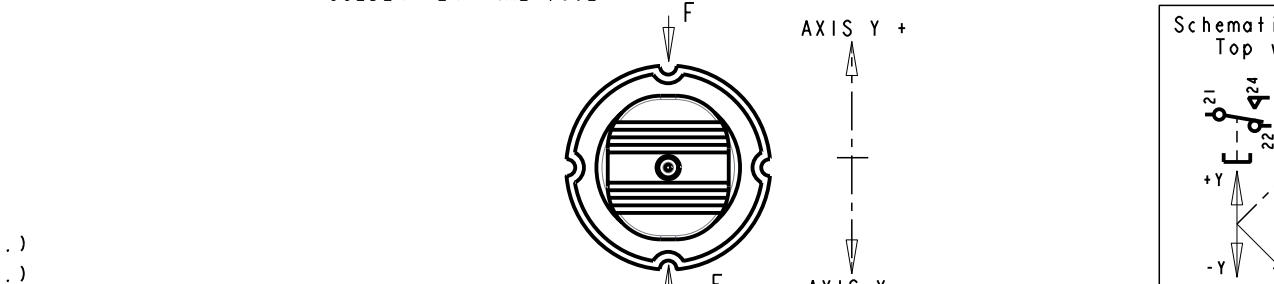
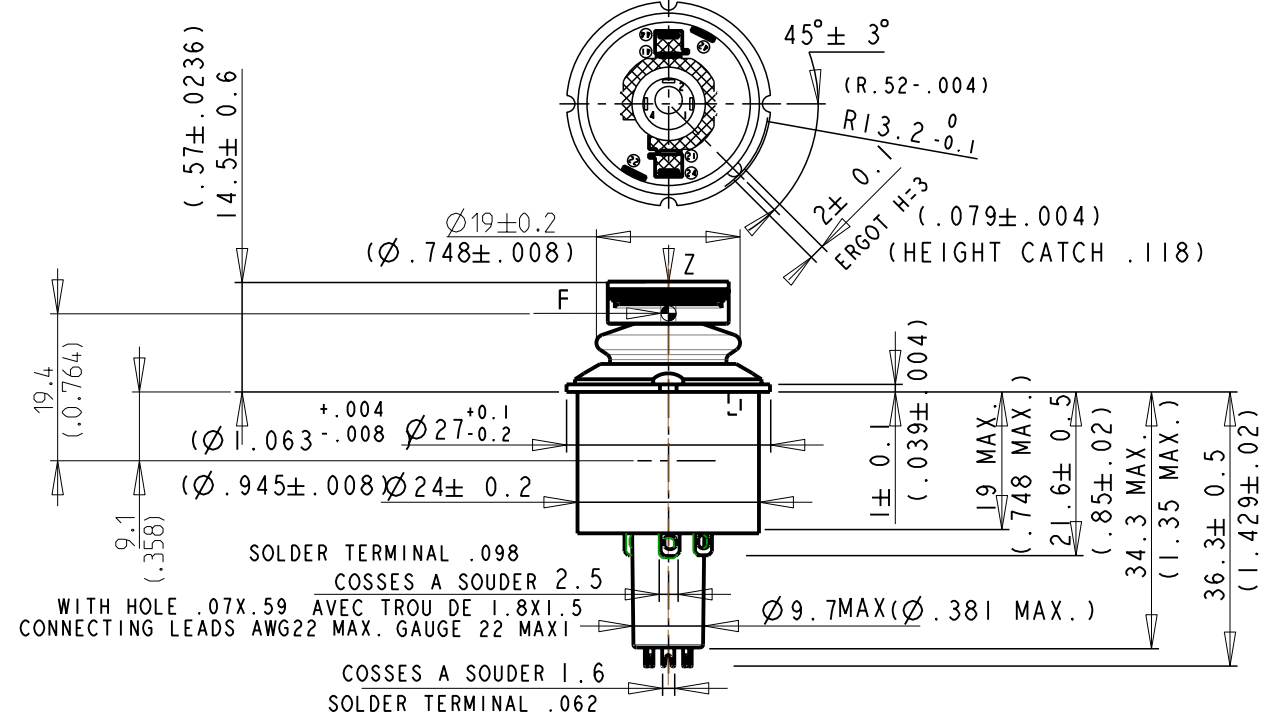
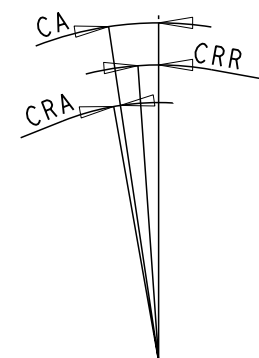
ELECTRICAL ENDURANCE : 50 000 CYCLES

Voltage	30 Vdc	115 Vac 400 Hz	MINIMUM
Résistor	0.5A	0.5A	5 Vdc
Minimum current	0.5mA	0.5mA	*

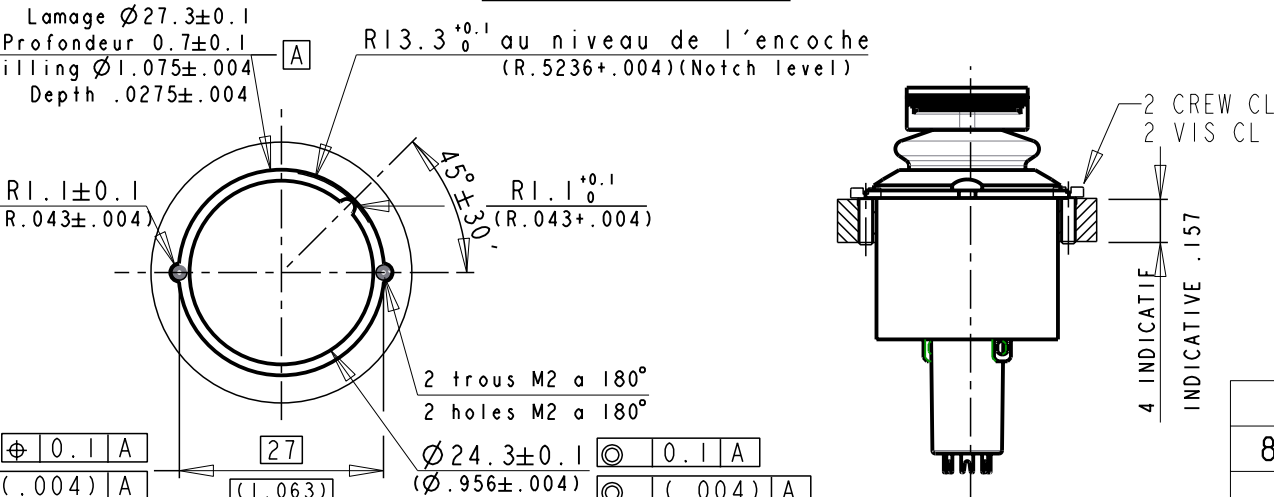
GENERAL PROPERTIE

OPERATING TEMPERATURE: -55°C A +85°C
STORAGE TEMPERATURE: -55°C A +85°C
MASSE: 0.00735Kg ±5%

**SCHEMA DES COURSES
TRAVEL SCHEME**



**USINAGE PLATINE
PLATE MACHINING**



C	C.CT.DEF.01233.FR Update operating force : 3N +/- 1.5N > 4.5N +/- 1.5N Update position force : 17.8mm > 19.4mm	Modified by C_BODIN 19/02/2014 Verified by D_LASTIER 19/02/2014 Authorized by NON APPLIC.
----------	--	---

Toler. gene. Lin ± 0.1 mm	This document is the property of Crouzet-Automatismes. It's contents cannot be reproduced or divulged without the company's written approval. The product data and specifications found on this document do not constitute any contractual obligation. Crouzet-Automatismes and its subsidiaries reserve the right to modify the specifications. All rights of reproduction, modification, reprinting, and translation reserved for all countries.
Toler. gene. Ang ± 1 degrees	

Crouzet General Raw surface Ra ✓	Customer:	Customer Ref.:
---	-----------	----------------

2, rue du Dr ABEL BP 59, 26902, Valence CEDEX 9 France	Designation/FR: TRIM 2D CONCAVE ETANCHE A VALIDATION INVERSEUR	PFT001:x<C>;y<M>
	Designation/GB: WATERPROOF 2 WAY BUTTON + PUSH BUTTON REVERSING SWITCH	Dispatching 01

Department: CT	Design by L_BERGERON 21/02/2013	DATA SHEET / FICHE TECHNIQUE	Index C	Format A3	Folio 1/1
	Verif. by D_LASTIER 21/02/2013	FT83452722FR			

NATO code: FA0X2	Authorized by NON APPLIC.
------------------	---------------------------