

**PRESENTATION**

APPAREIL ETANCHE EN FACE AVANT:  
BOITIER ET POUSSOIR EN POLYAMIDE 6-6 NOIR  
COSSES A SOUDER EN LAITON ARGENTE  
CONTACTS: ARGENT

**CARACTERISTIQUES MECANIKES DES 2 DIRECTIONS**

FORCES : SUIVANT F  
FORCE DE COMMANDE:  
FORCE DE RELACHEMENT (FR):  
FORCE ADMISSIBLE EN FIN DE COURSE:  
TENUE DU POUSSOIR: A LA TRACTION:  
A LA COMPRESSION:  
ANGLE MESURE PAR RAPPORT A L'AXE DU POUSSOIR  
COURSE D'APPROCHE (CA):  
COURSE RESIDUELLE ALLER (CRA):  
COURSE RESIDUELLE RETOUR (CRR):  
ENDURANCE MECANIQUE PAR DIRECTION:  
VIBRATION : SELON NORME AIR 7306 TITRE 3  
a) SINUSOIDALES : FASCICULE 41 TABLEAU 2  
b) ALEATOIRES : FASCICULE 42 FIGURE 17

**CARACTERISTIQUES MECANIKES DE LA VALIDATION**

FORCES : SUIVANT Z  
FORCE DE COMMANDE :  
FORCE DE RELACHEMENT :  
FORCE ADMISSIBLE EN FIN DE COURSE:  
FORCE ADMISSIBLE A LA TRACTION :  
COURSE TOTALE :  
COURSE D'APPROCHE A LA COMMUTATION :

**ELECTRICAL CHARACTERISTICS OF 2 CIRCUITS**

ELECTRICAL ENDURANCE : 100 000 CYCLES

VOLTAGE	30Vdc	115 Vac 400 Hz	MINIMUM
RESISTOR	2A	2A	5 Vdc
SEL. INDUC. L/R=5ms	1A	1A	
MINIMUM CURRENT	0.5mA	0.5mA	

\* CONTACT RESISTANCE IN ACCORDANCE WITH MIL 8805 D

**CARACTERISTIQUES GENERALES**

TEMPERATURE D'EMPLOI:  
TEMPERATURE DE STOCKAGE:  
MASSE:

**PRESENTATION**

WATERPROOF FRONT FACE: MIL STD 810D-506.2 METH.2  
CASING AND BUTTON POLYAMIDE 6-6 BLACK  
SOLDER TERMINAL LUGS SILVER-PLATED BRASS  
CONTACTS: SILVER

**MECHANICALS PROPERTIES OF 2 DIRECTIONS**

F (SEE FIG.)  
OPERATING FORCE: 3N±1.5N.  
RELEASER FORCE: 0.6N MIN.  
PERMISSIBLE FORCE AT END OF TRAVEL: 70N MAX.  
PLUNGER STRENGTHNESS: PULLING ACTION: 25N MAX.  
PUSHING ACTION: 100N MAX.  
ANGLE MEASURED FROM THE AXIS:  
PRE TRAVEL (CA): 9°30' MAX.  
OVERTRAVEL (CRA): 1°30' MAX.  
RETURN OVERTRAVEL (CRR): 4° MIN.  
MECHANICAL STRENGTH PER DIRECTION: 100 000 CYCLES  
VIBRATIONS: IN ACCORDANCE WITH AIR 7306 TITRE 3  
a) SINUSOIDAL=PART 41-TABLE 2  
b) RANDOM=PART 42-SCHEME 17

**VALIDATION MECHANICALS PROPERTIES**

Z SEE FIG.  
OPERATING FORCE : 25N MAX  
RELEASER FORCE: 2N MIN.  
MAX. AUTHORIZED FORCE AT END OF TRAVEL: 70N MAX.  
PLUNGER STRENGTHNESS: PULLING ACTION: 80N MAX.  
TOTAL TRAVEL: 2mm MINI (.078 IN.)  
1.8mm MAX. (.07 IN.)  
SWITCHING PRE TRAVEL:

**ELECTRICAL CHARACTERISTICS OF VALIDATION CIRCUIT**

ELECTRICAL ENDURANCE : 50 000 CYCLES

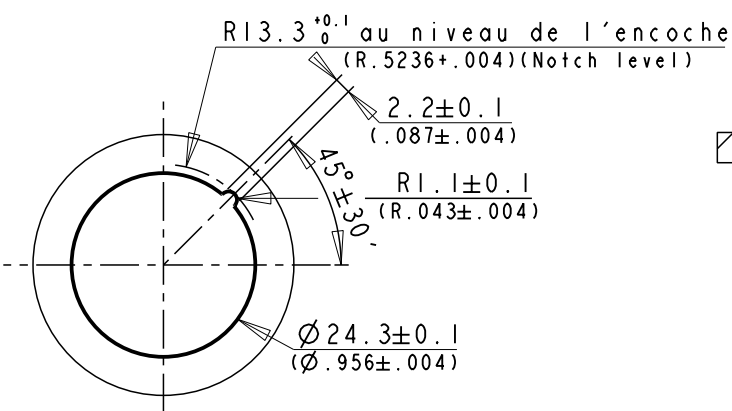
VOLTAGE	30Vdc	115 Vac 400 Hz	MINIMUM
RESISTOR	0.5A	0.5A	5 Vdc
MINIMUM CURRENT	0.5mA	0.5mA	*

**GENERAL PROPERTIES**

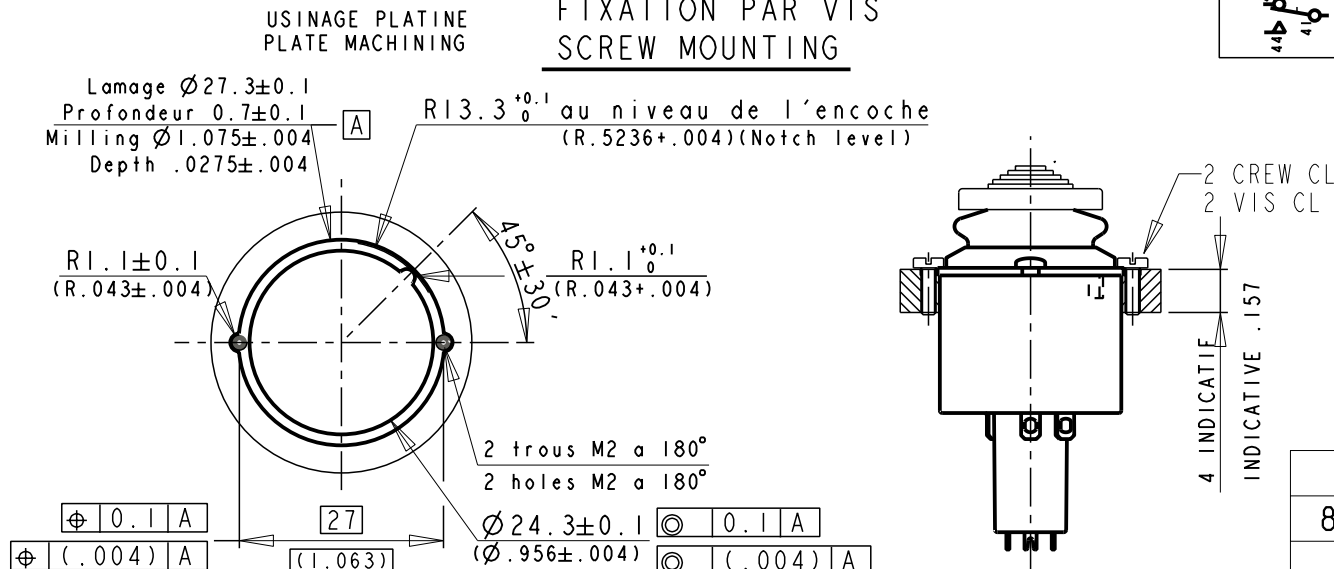
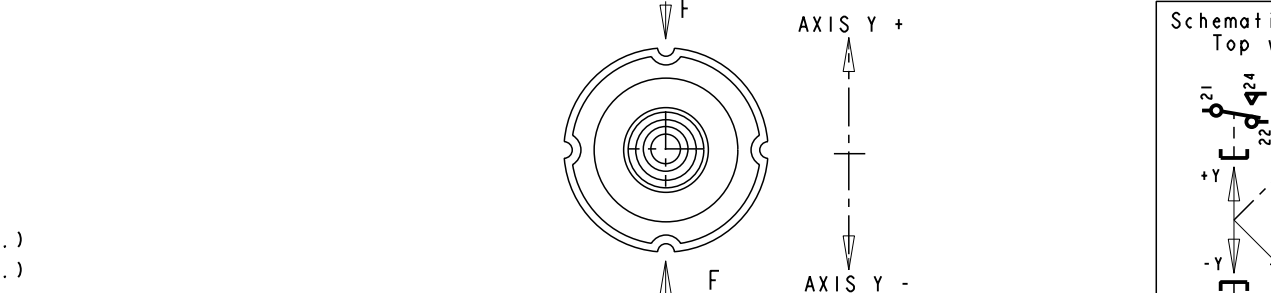
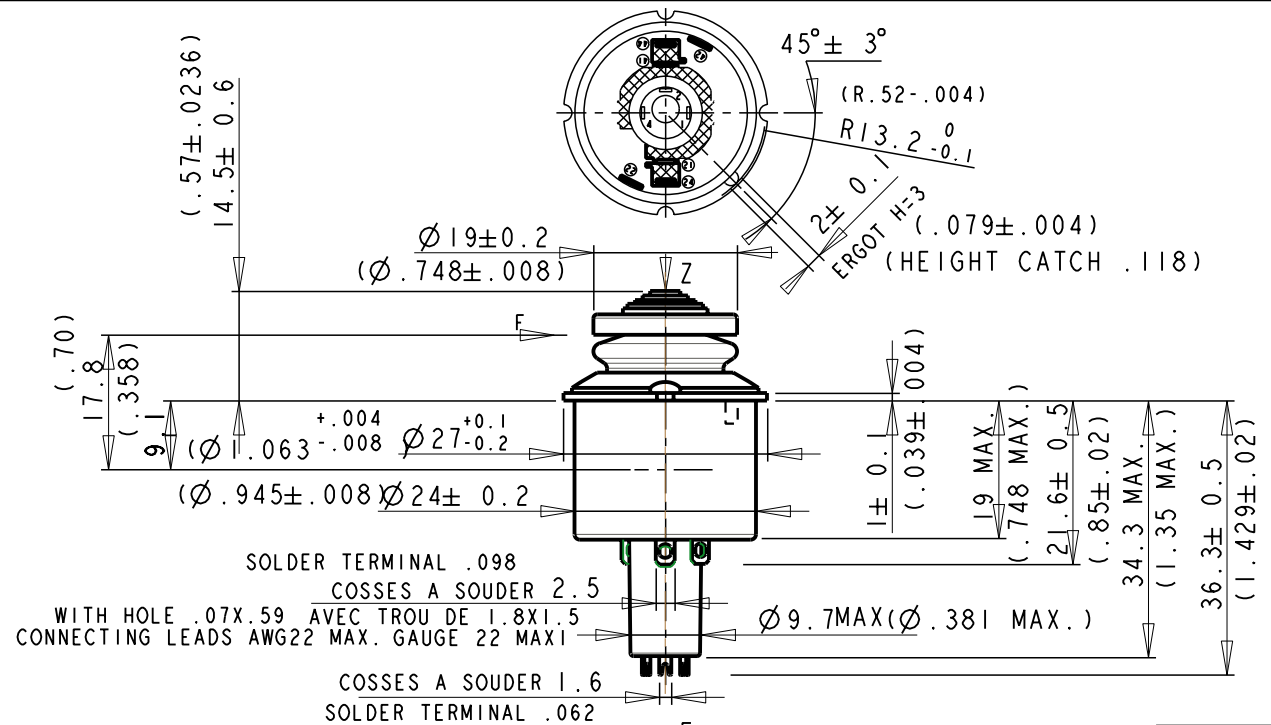
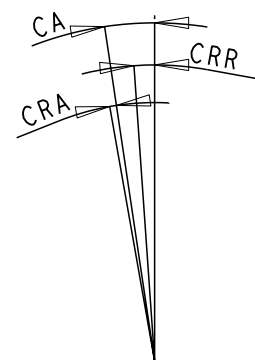
OPERATING TEMPERATURE: -55°C A +85°C  
STORAGE TEMPERATURE: -55°C A +85°C  
MASSE: 0.00735Kg ±5%

**FIXATION PAR COLLAGE ASSEMBLING BY GLUE**

USINAGE PLATINE PLATE MACHINING



**SCHEMA DES COURSES TRAVEL SCHEME**



83452709  
Product:

<b>C</b>	CORRECTION SCHEMATIC DIAGRAM & ADD ORIENTATION AXIS Y		Modified by	F_MONCHAL	01/07/2008
	IA2008023		Verified by	A_BONNARD	01/07/2008
Toler. gene. Lin ± 0.1 mm			Authorized by		
Toler. gene. Ang ± degrees			NON APPLIC.		
			This document is the property of Crouzet-Automatismes. It's contents cannot be reproduced or divulged without the company's written approval. The product data and specifications found on this document do not constitute any contractual obligation. Crouzet-Automatismes and its subsidiaries reserve the right to modify the specifications. All rights of reproduction, modification, reprinting, and translation reserved for all countries.		
2, rue du Dr ABEL BP 59, 26902, Valence CEDEX 9 France		Customer:	Customer Ref.:		
Designation/FR: Designation/GB:		<b>TRIM 2D SAPIN ETANCHE A VALIDATION INVERSEUR</b> <b>WATERPROOF 2 WAY BUTTON + PUSH BUTTON REVERSING SWITCH</b>		PFT001:x<C>;y<M> Dispatching <b>01</b>	
Department: CT		Design by F_MONCHAL 30/04/2008 Verif. by A_BONNARD 30/04/2008		DATA SHEET / FICHE TECHNIQUE <b>FT83452709FR</b>	
NATO code: FA0X2		Authorized by NON APPLIC.		Index	Folio
				<b>C</b>	<b>A3</b> 1/1