

PRESENTATION

APPAREIL ETANCHE EN FACE AVANT:
BOITIER ET POUSSOIR EN POLYAMIDE 6-6 NOIR
COSSES A SOUDER EN LAITON ARGENTE
CONTACTS: ARGENT

CARACTERISTIQUES MECANIKES DES 4 DIRECTIONS

FORCES : SUIVANT F
FORCE DE COMMANDE:
FORCE DE RELACHEMENT (FR):
FORCE ADMISSIBLE EN FIN DE COURSE:
TENUE DU POUSSOIR: A LA TRACTION:
A LA COMPRESSION:
ANGLE MESURE PAR RAPPORT A L'AXE DU POUSSOIR
COURSE D'APPROCHE (CA):
COURSE RESIDUELLE ALLER (CRA):
COURSE RESIDUELLE RETOUR (CRR):
ENDURANCE MECANIQUE PAR DIRECTION:
VIBRATION : SELON NORME AIR 7306 TITRE 3
a) SINUSOIDALES : FASCICULE 41 TABLEAU 2
b) ALEATOIRES : FASCICULE 42 FIGURE 17

CARACTERISTIQUES MECANIKES DE LA VALIDATION

FORCES : SUIVANT Z
FORCE DE COMMANDE :
FORCE DE RELACHEMENT :
FORCE ADMISSIBLE EN FIN DE COURSE:
FORCE ADMISSIBLE A LA TRACTION :
COURSE TOTALE :
COURSE D'APPROCHE A LA COMMUTATION :

ELECTRICAL CHARACTERISTICS OF 4 CIRCUITS (AXIS X ET Y)

ELECTRICAL ENDURANCE : 100000 CYCLES

VOLTAGE	30Vdc	115 Vac 400 Hz	MINIMUM
RESISTOR	2A	2A	5 Vdc
SEL. INDUC. L/R=5m	1A	1A	
MINIMUM CURRENT	0.5mA	0.5mA	

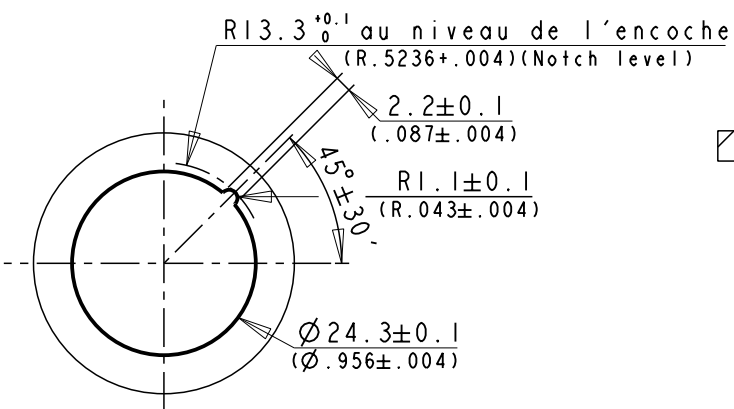
* CONTACT RESISTANCE IN ACCORDANCE WITH MIL 8805 D

CARACTERISTIQUES GENERALES

TEMPERATURE D'EMPLOI:
TEMPERATURE DE STOCKAGE:
MASSE:

**FIXATION PAR COLLAGE
ASSEMBLING BY GLUE**

USINAGE PLATINE
PLATE MACHINING



PRESENTATION

WATERPROOF FRONT FACE:
CASING AND BUTTON POLYAMIDE 6-6 BLACK
SOLDER TERMINAL LUGS SILVER-PLATED BRASS
CONTACTS: SILVER

MECHANICALS PROPERTIES OF 4 DIRECTIONS

F (SEE FIG.)
OPERATING FORCE: 3N ± 1.5N.
RELEASE FORCE: 0.6N MIN.
PERMISSIBLE FORCE AT END OF TRAVEL: 70N MAX.
PLUNGER STRENGTHNESS: PULLING ACTION: 25N MAX.
PUSHING ACTION: 100N MAX.
ANGLE MEASURED FROM THE AXIS:
PRE TRAVEL (CA): 9°30' MAX.
OVERTRAVEL (CRA): 1°30' MAX.
RETURN OVERTRAVEL (CRR): 4° MIN.
MECHANICAL STRENGTH PER DIRECTION:
VIBRATIONS: IN ACCORDANCE WITH AIR 7306 TITRE 3
a) SINUSOIDAL=PART 41-TABLE 2
b) RANDOM=PART 42-SCHEME 17

VALIDATION MECHANICALS PROPERTIES

Z SEE FIG.
OPERATING FORCE : 25N MAX
RELEASE FORCE: 2N MIN.
MAX. AUTHORIZED FORCE AT END OF TRAVEL: 70N MAX.
PLUNGER STRENGTHNESS: PULLING ACTION: 80N MAX.
TOTAL TRAVEL: 2mm MINI. (.078 IN.)
SWITCHING PRE TRAVEL: 1.8mm MAX. (.07 IN.)

ELECTRICAL CHARACTERISTICS OF VALIDATION CIRCUIT

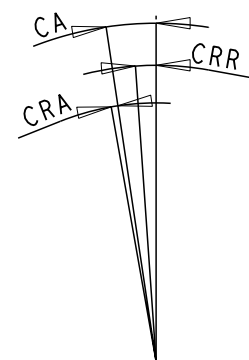
ELECTRICAL ENDURANCE : 50000 CYCLES

VOLTAGE	30Vdc	115 Vac 400 Hz	MINIMUM
RESISTOR	0.5A	0.5A	5 Vdc
MINIMUM CURRENT	0.5mA	0.5mA	*

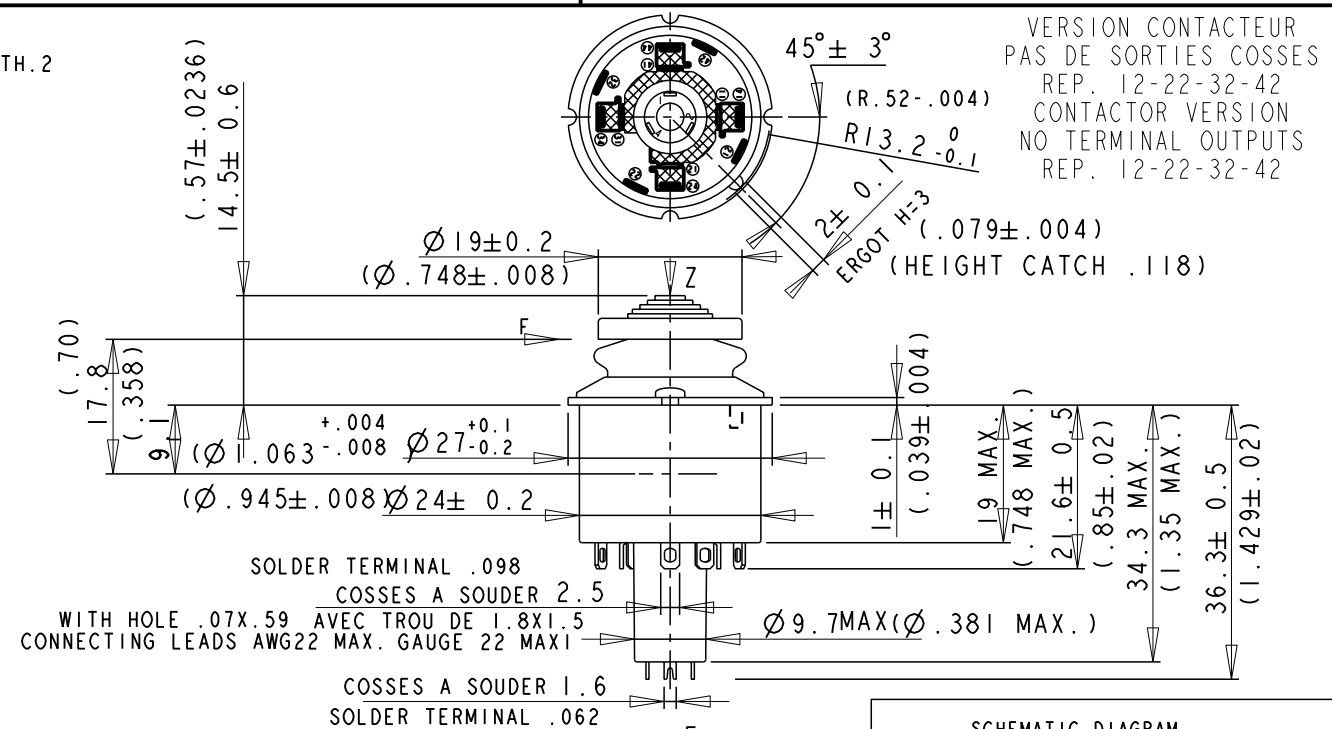
GENERAL PROPERTIES

OPERATING TEMPERATURE: -55°C A +85°C
STORAGE TEMPERATURE: -55°C A +85°C
MASSE: 0.00735kg ± 5%

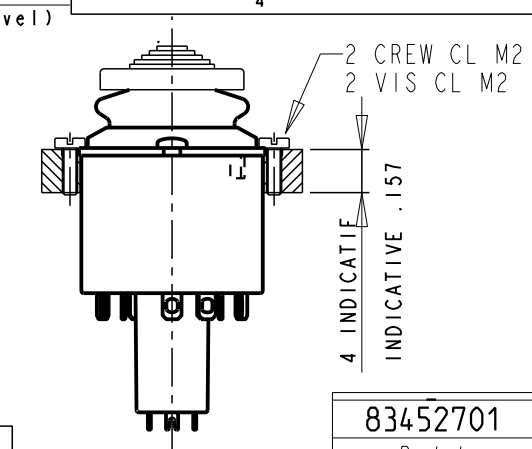
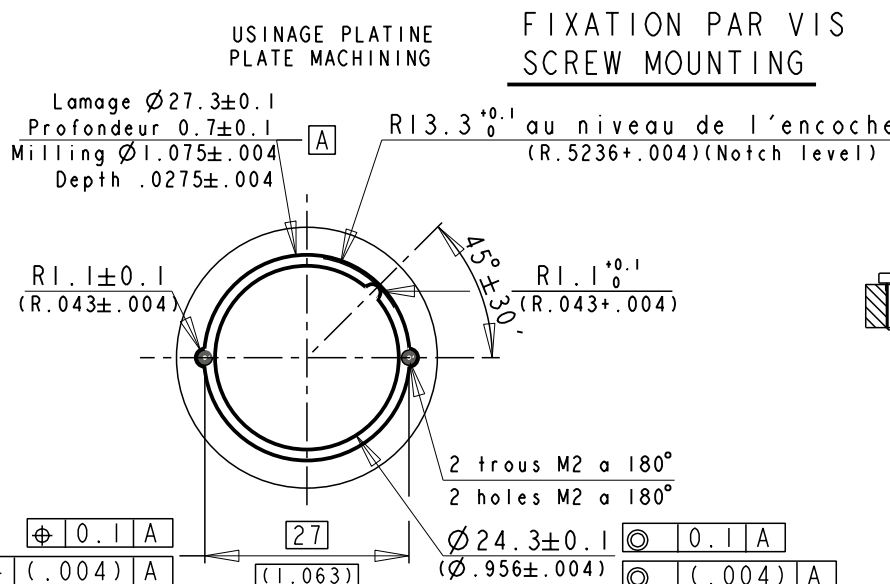
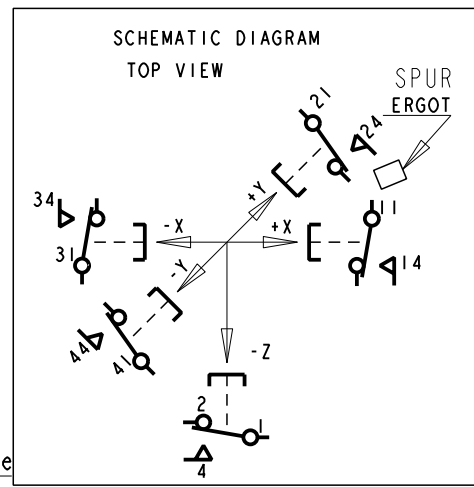
**SCHEMA DES COURSES
TRAVEL SCHEME**



MIL STD 810D-506.2 METH.2



VERSION CONTACTEUR
PAS DE SORTIES COSSES
REP. 12-22-32-42
CONTACTOR VERSION
NO TERMINAL OUTPUTS
REP. 12-22-32-42



83452701
Product:

H	CTP 9134 : MISE EN CONFORMITE REPRESENTATION COSSES MINI		Modified by	JL_BOURGNE	04/09/2008
			Verified by	J_RODRIGUEZ	04/09/2008
		Authorized by			
Toler. gene. lin ±		mm		This document is the property of Crouzet-Automatismes. It's contents cannot be reproduced or divulged without the company's written approval. The product data and specifications found on this document do not constitute any contractual obligation. Crouzet-Automatismes and its subsidiaries reserve the right to modify the specifications. All rights of reproduction, modification, reprinting, and translation reserved for all countries.	
Toler. gene. Ang ±		degrees			
Crouzet		General Raw surface Ra ✓		Scale 1/1	
2, rue du Dr ABEL BP 59, 26902, Valence CEDEX 9 France		Customer:		Customer Ref.:	
		Designation/FR: TRIM TACTILE A VALIDATION CENTRALE POUSSOIR SAPIN CONTACTEUR		PFT001: <C>; <M>	
		Designation/GB: FOUR WAY BUTTON WITH TACTILE EFFECT + PUSH BUTTON NORMALLY OPEN		Dispatching 01	
Department: CT		Design by G_GUILHOT 18/03/2000		DATA SHEET	
		Verif. by M_DOREY 18/03/2000		Index Format Folio	
NATO code: FA0X2		Authorized by		FT83452701FR	
				H A3 1/1	