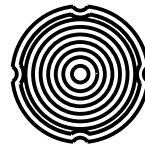
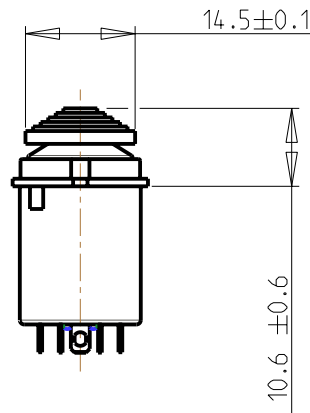
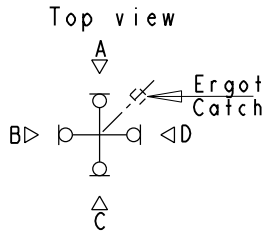


Schematic diagram



ENDURANCE MECANIQUE : 100 000 cycles
 ETANCHEITE FACE AVANT SUIVANT :
 MIL STD 810 D-506.2 Methode 2
 AUTRES CARACTERISTIQUES, IDENTIQUES A :

MECHANICAL STRENGTH : 100 000 cycles
 WATERPROOF FRONT FACE IN COMFORMITY WITH :
 MIL STD 810 D-506.2 Methode 2
 other characteristics identical to :

FT83452501FR

SCALE 1/1



-
-
83452570
Product:

A	CT 2363 : CREATION DE L'OBJET IA 2004046	Modified by	F_MONCHAL	10/01/2007
		Verified by	N_PALUSINSKI	10/01/2007
		Authorized by	NON APPLIC.	

Toler. gene. lin ±	mm	This document is the property of Crouzet-Automatismes. It's contents cannot be reproduced or divulged without the company's written approval. The product data and specifications found on this document do not constitute any contractual obligation. Crouzet-Automatismes and its subsidiaries reserve the right to modify the specifications. All rights of reproduction, modification, reprinting, and translation reserved for all countries.	
Toler. gene. Ang ±	degrees		
Crouzet	General Raw surface Ra ✓		Scale 1/1

2, rue du Dr ABEL BP 59, 26902, Valence CEDEX 9 France	Customer:	Customer Ref.:	PFT001:0<C>;0<M>			
	Designation/FR:	TRIM 4D UNIPOLAIRE EFFET TACTILE CONTACTEUR ETANCHE		Dispatching	01	
Department:	Design by F_MONCHAL 10/01/2007	FICHE TECHNIQUE - DATA SHEET		Index	Format	Folio
CT	Verif. by N_PALUSINSKI 10/01/2007	FT83452570FR		A	A4	1/1
NATO code: FA0X2	Authorized by NON APPLIC.					