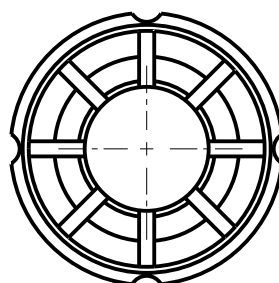
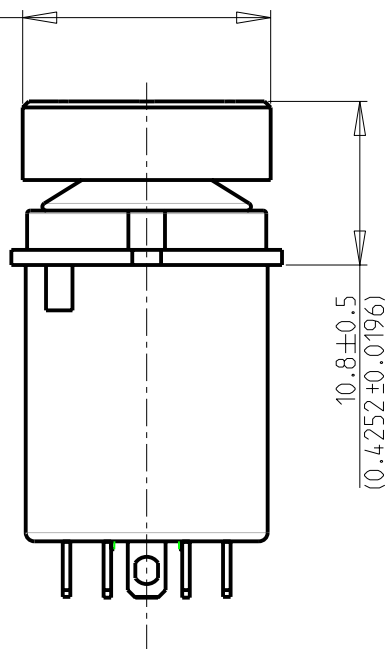
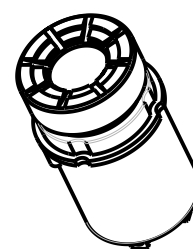


Ø16.4±0.1  
(Ø 0.6456±0.0039)



SCALE 1/1



Characteristics identical to : FT83452534FR

|          |
|----------|
| -        |
| -        |
| 83452543 |
| Product: |

|          |                     |               |             |            |
|----------|---------------------|---------------|-------------|------------|
| <b>B</b> | CTP 9370            | Modified by   | D_DELIAUD   | 20/04/2010 |
|          | 10.6±0.6-->10.8±0.5 | Verified by   | F_MATTANA   | 20/04/2010 |
|          |                     | Authorized by | NON APPLIC. |            |

|                    |                          |  |                     |
|--------------------|--------------------------|--|---------------------|
| Toler. gene. lin ± | mm                       | <p>This document is the property of Crouzet-Automatismes.<br/>It's contents cannot be reproduced or divulged without the company's written approval.<br/>The product data and specifications found on this document do not constitute any contractual obligation.<br/>Crouzet-Automatismes and its subsidiaries reserve the right to modify the specifications.<br/>All rights of reproduction, modification, reprinting, and translation reserved for all countries</p> |                     |
| Toler. gene. Ang ± | degrees                  |  |                     |
| <b>Crouzet</b>     | General Raw surface Ra ✓ |  | Scale<br><b>2/1</b> |

|   |   |  |                    |                       |     |
|---|---|--|--------------------|-----------------------|-----|
| 2, rue du Dr ABEL<br>BP 59, 26902,<br>Valence CEDEX 9<br>France | Customer:   | Customer Ref.:   | PFT001:0<C>;0<M>   |                       |     |
|   | Designation/FR:   | <b>TRIM 4D UNIPOLAIRE EFFET TACTILE CONTACTEUR ETANCHE</b> |                    | Dispatching <b>01</b> |     |
| Designation/GB:   | <b>WATERPROFF 4 WAYS BUTTON WITH TACTILE EFFECT NORMALLY OPEN</b> |  | Index Format Folio |                       |     |
| Department:   | Design by T_VINARD 31/01/2006                                     | <b>DATA SHEET</b>  |                    | B                     | A4  |
| CT  | Verif. by A_BONNARD 31/01/2006                                    | <b>FT83452543GB</b>  |                    |                       | 1/1 |
| NATO code: FA0X2  | Authorized by NON APPLIC.   |  |                    |                       |     |