

PRESENTATION

BOITIER ET POUSSOIR EN POLYAMIDE 6-6 NOIR
 COSSES A SOUDER W2 EN LAITON ARGENTE
 CONTACTS: ARGENT + FLASH OR 5µ

CARACTERISTIQUES MECANIQUES DES 4 DIRECTIONS

FORCES : SUIVANT F
 FORCE DE COMMANDE:
 FORCE DE RELACHEMENT (FR):
 FORCE ADMISSIBLE EN FIN DE COURSE:
 TENUE DU POUSSOIR: A LA TRACTION:
 A LA COMPRESSION:

ANGLE MESURE PAR RAPPORT A L'AXE DU POUSSOIR
 COURSE D'APPROCHE (CA):
 COURSE RESIDUELLE ALLER (CRA):
 COURSE RESIDUELLE RETOUR (CRR):
 ENDURANCE MECANIQUE PAR DIRECTION:
 VIBRATIONS :SELON NORME AIR 7306 TITRE 3
 a) SINUSOIDALES :FASCICULE 41 TABLEAU 2
 b) ALEATOIRES :FASCICULE 42 FIGURE 17

CARACTERISTIQUES ELECTRIQUES

UN PRODUIT NE DOIT ETRE UTILISE QUE POUR L'UN OU L'AUTRE NIVEAU.

BAS NIVEAU

TENSION	30 VDC	115 VAC 400 Hz	VOLTAGE
COURANT	0.5 mA à 50 mA	0.5 mA à 50 mA	CURRENT
ENDURANCE ELECTRIQUE PAR DIRECTION	100 000 cycles	100 000 cycles	ELECTRICAL LIFE PER DIRECTION

LOW CURRENT

FORT NIVEAU

TENSION	30 VDC	115 VAC 400 Hz	VOLTAGE
COURANT INDUCTIF L/R	1 A	1 A	INDUCTIVE CURRENT
COURANT RESISTIF	2 A	2 A	RESISTIVE CURRENT
ENDURANCE ELECTRIQUE PAR DIRECTION	100 000 cycles	100 000 cycles	ELECTRICAL LIFE PER DIRECTION

HIGH CURRENT

CONTACT RESISTANCE IN ACCORDANCE WITH MIL 8805 D

CARACTERISTIQUES GENERALES

TEMPERATURE D'EMPLOI:
 TEMPERATURE DE STOCKAGE:
 MASSE:
 ETANCHEITE FACE AVANT :

PRESENTATION

CASING AND BUTTON POLYAMIDE 6-6 BLACK
 SOLDER TERMINAL LUGS W2 SILVER-PLATED BRASS
 CONTACTS: SILVER + GOLD PLATED 5µ

MECHANICAL PROPERTIES OF 4 DIRECTIONS

F (SEE FIG.)
 OPERATING FORCE: 3.5N±1.2N
 RELEASE FORCE: 0.6N MIN.
 PERMISSIBLE FORCE AT END OF TRAVEL: 70N MAX.
 PLUNGER STRENGTHNESS: PULLING ACTION: 25N MAX.
 PUSHING ACTION: 100N MAX.

ANGLE MEASURED FROM THE AXIS:
 PRE TRAVEL (CA): 9°30' MAX.
 OVERTRAVEL (CRA): 1°30' MIN.
 RETURN OVERTRAVEL (CRR): 4° MIN.
 MECHANICAL STRENGTH PER DIRECTION :
 VIBRATIONS: IN ACCORDANCE WITH AIR 7306 TITRE 3
 a) SINUSOIDAL=PART 41-TABLE 2
 b) RANDOM=PART 42-SCHEME 17

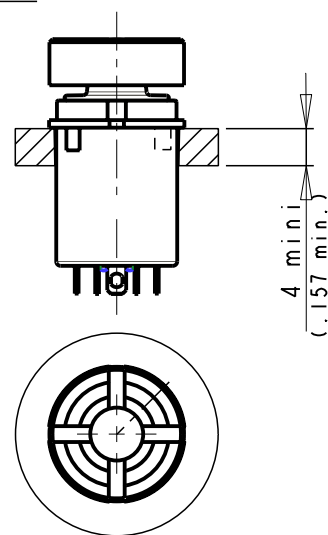
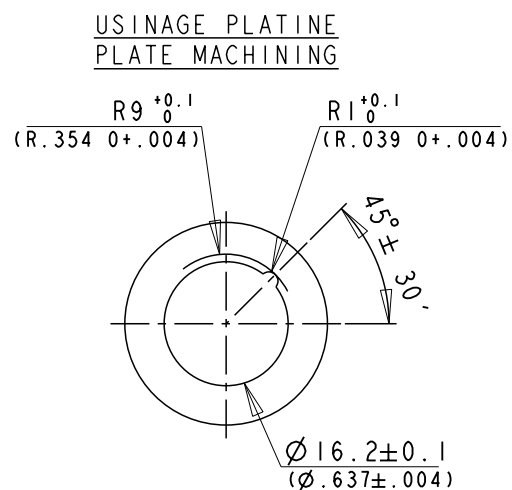
ELECTRICAL CHARACTERISTICS

THE SAME PRODUCT MUST BE USED FOR EITHER ONE OR THE OTHER CURRENT.

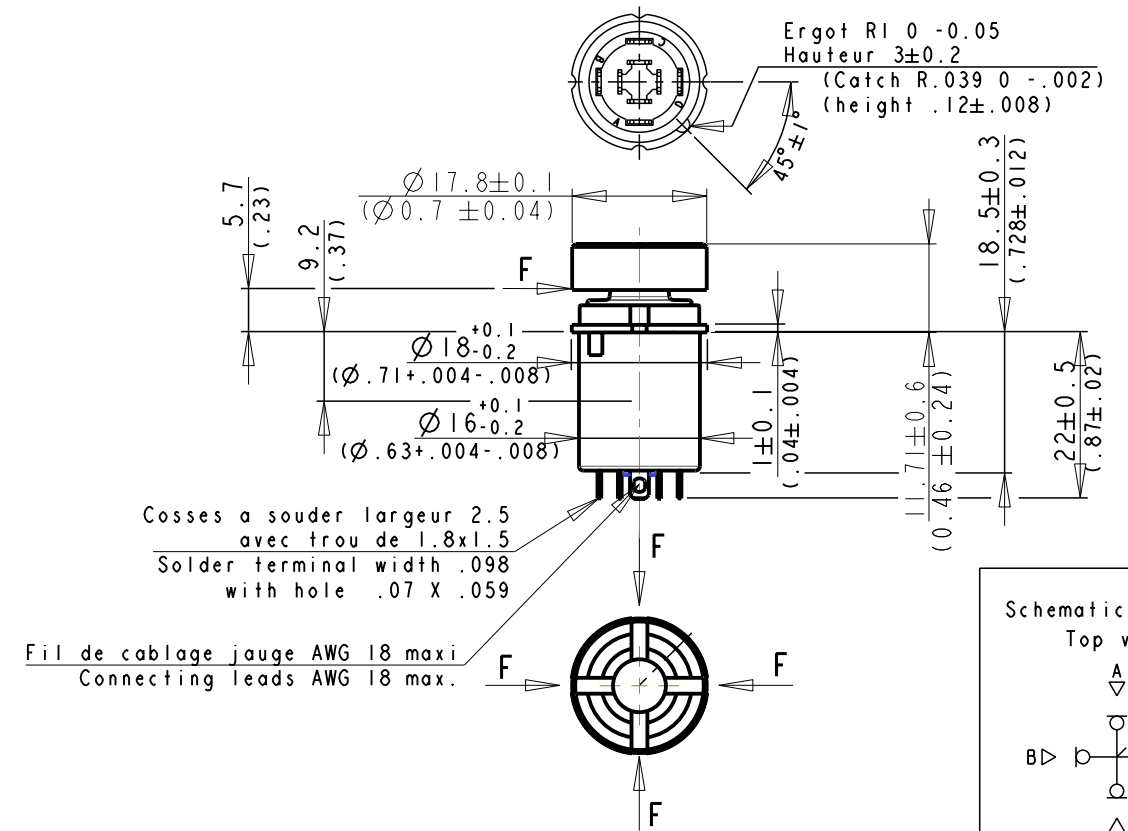
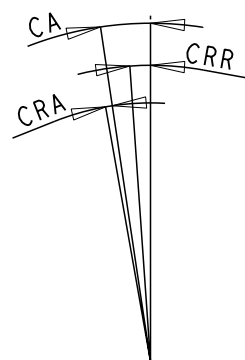
GENERAL PROPERTIES

OPERATING TEMPERATURE: -55°C A +85°C
 STORAGE TEMPERATURE: -55°C A +85°C
 MASSE: 0.00735Kg ±5%
 WATERPROOF FRONT FACE :
 MIL STD 810 D-506.2 METHODE 2

FIXATION DU TRIM PAR COLLAGE ASSEMBLING BY GLUE



TRAVEL SCHEME

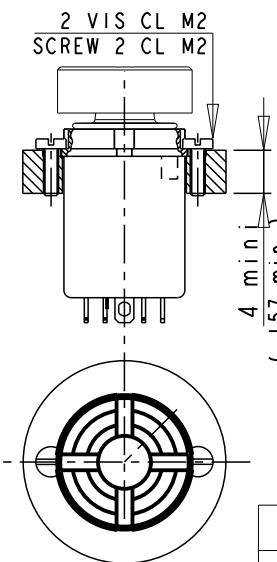
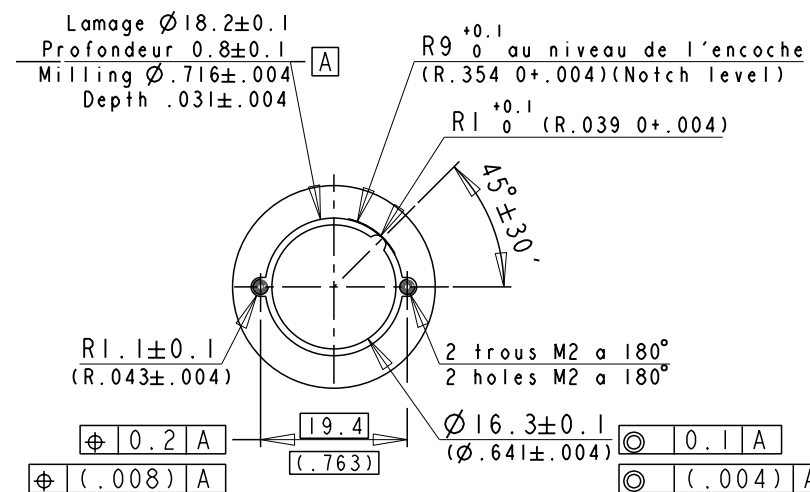


Cosses a souder largeur 2.5 avec trou de 1.8x1.5
 Solder terminal width .098 with hole .07 X .059

Fil de cablage jauge AWG 18 maxi
 Connecting leads AWG 18 max.

FIXATION DU TRIM PAR VIS SCREW MOUNTING

USINAGE PLATINE PLATE MACHINING



83452538
 Product:

A	CT 1817 : CREATION	Modified by	F_MONCHAL	06/11/2002
		Verified by	P_PAPELIER	06/11/2002
Toler. gene. lin ± mm		This document is the property of Crouzet-Automatismes. It's contents cannot be reproduced or divulged without the company's written approval. The product data and specifications found on this document do not constitute any contractual obligation. Crouzet-Automatismes and its subsidiaries reserve the right to modify the specifications. All rights of reproduction, modification, reprinting, and translation reserved for all countries.		
Toler. gene. Ang ± degrees				
General Raw surface Ra ✓		Scale 1/1		
2, rue du Dr ABEL BP 59, 26902, Valence CEDEX 9 France		Customer Ref.:		PFT001:0<C>;0<M>
Customer:		Designation/FR: BOUTON 4 DIRECTIONS A EFFET TACTILE CONTACTEUR Designation/GB: FOUR WAYS BUTTON WITH TACTILE EFFECT NORMALLY OPEN		Dispatching 01
Department: CT		Design by F_MONCHAL 06/11/2002 Verif. by P_PAPELIER 06/11/2002		Index A Format A3 Folio 1/1
NATO code: FAOX2		Authorized by		
DATA SHEET				
FT83452538FR				