

**PRESENTATION**

BOITIER ET POUSSOIR EN POLYAMIDE 6-6 NOIR  
 COSSES A SOUDER W2 EN LAITON ARGENTE  
 CONTACTS: ARGENT + FLASH OR 5µ

**CARACTERISTIQUES MECANIKES DES 4 DIRECTIONS**

FORCES : SUIVANT F  
 FORCE DE COMMANDE:  
 FORCE DE RELACHEMENT (FR):  
 FORCE ADMISSIBLE EN FIN DE COURSE:  
 TENUE DU POUSSOIR: A LA TRACTION:  
 A LA COMPRESSION:

ANGLE MESURE PAR RAPPORT A L'AXE DU POUSSOIR  
 COURSE D'APPROCHE (CA):  
 COURSE RESIDUELLE ALLER (CRA):  
 COURSE RESIDUELLE RETOUR (CRR):  
 ENDURANCE MECANIQUE PAR DIRECTION:  
 VIBRATIONS :SELON NORME AIR 7306 TITRE 3  
 a) SINUSOIDALES :FASCICULE 41 TABLEAU 2  
 b) ALEATOIRES :FASCICULE 42 FIGURE 17

**CARACTERISTIQUES ELECTRIQUES**

UN PRODUIT NE DOIT ETRE UTILISE QUE POUR L'UN OU L'AUTRE NIVEAU.

BAS NIVEAU

TENSION	30 VDC	115 VAC 400 Hz	VOLTAGE
COURANT	0.5 mA à 50 mA	0.5 mA à 50 mA	CURRENT
ENDURANCE ELECTRIQUE PAR DIRECTION	100 000 cycles	100 000 cycles	ELECTRICAL LIFE PER DIRECTION

LOW CURRENT

FORT NIVEAU

TENSION	30 VDC	115 VAC 400 Hz	VOLTAGE
COURANT INDUCTIF L/R	1 A	1 A	INDUCTIVE CURRENT
COURANT RESISTIF	2 A	2 A	RESISTIVE CURRENT
ENDURANCE ELECTRIQUE PAR DIRECTION	100 000 cycles	100 000 cycles	ELECTRICAL LIFE PER DIRECTION

HIGH CURRENT

CONTACT RESISTANCE IN ACCORDANCE WITH MIL 8805 D

**CARACTERISTIQUES GENERALES**

TEMPERATURE D'EMPLOI:  
 TEMPERATURE DE STOCKAGE:  
 MASSE:  
 ETANCHEITE FACE AVANT :

**PRESENTATION**

CASING AND BUTTON POLYAMIDE 6-6 BLACK  
 SOLDER TERMINAL LUGS W2 SILVER-PLATED BRASS  
 CONTACTS: SILVER + GOLD PLATED 5µ

**MECHANICAL PROPERTIES OF 4 DIRECTIONS**

F (SEE FIG.)  
 OPERATING FORCE:  
 RELEASE FORCE:  
 PERMISSIBLE FORCE AT END OF TRAVEL:  
 PLUNGER STRENGTHNESS: PULLING ACTION:  
 PUSHING ACTION:

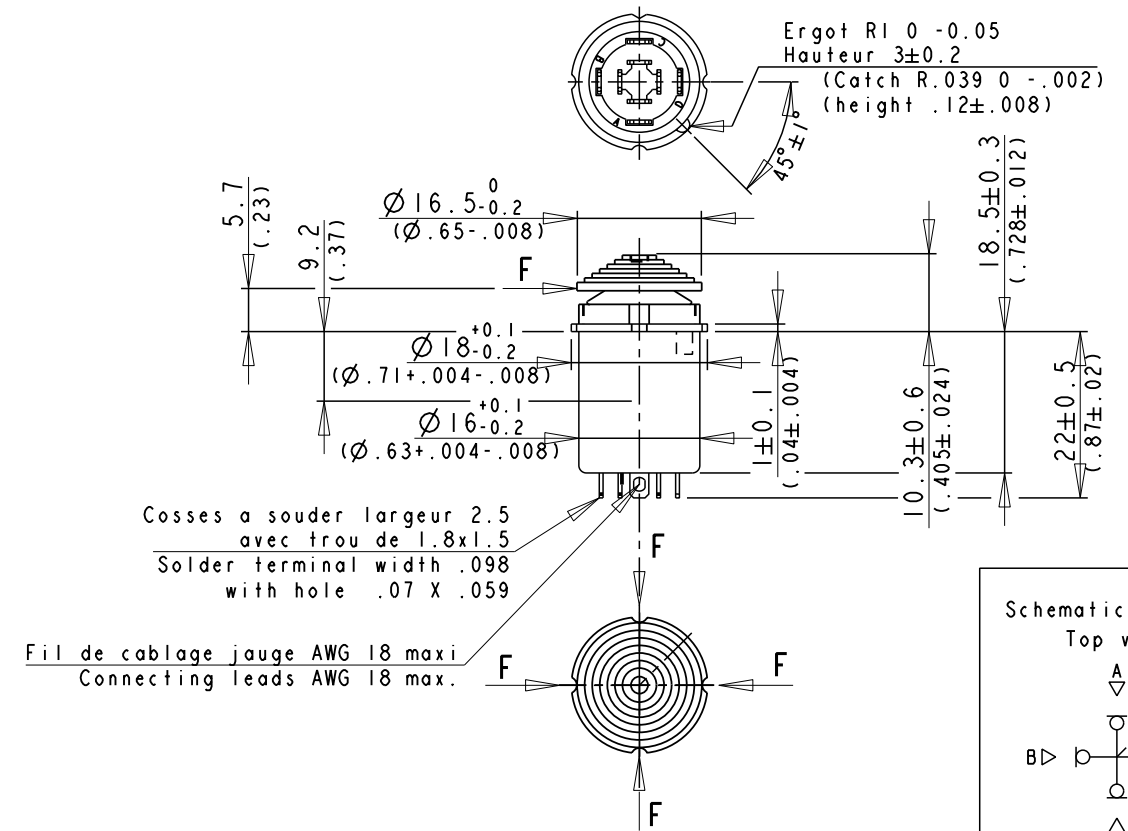
ANGLE MEASURED FROM THE AXIS:  
 PRE TRAVEL (CA):  
 OVERTRAVEL (CRA):  
 RETURN OVERTRAVEL (CRR):  
 MECHANICAL STRENGTH PER DIRECTION :  
 VIBRATIONS: IN ACCORDANCE WITH AIR 7306 TITRE 3  
 a) SINUSOIDAL=PART 41-TABLEU 2  
 b) RANDOM=PART 42-SCHEME 17

3.5N±1.2N  
 0.6N MIN.  
 70N MAX.  
 25N MAX.  
 100N MAX.

9° 30' MAX.  
 1° 30' MIN.  
 4° MIN.  
 100 000 CYCLES

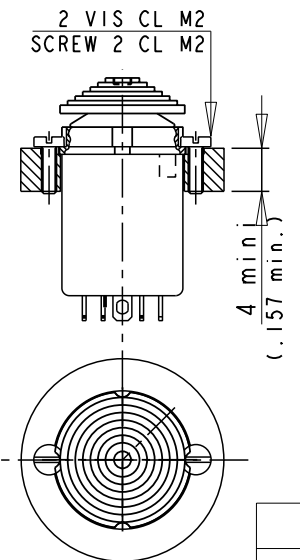
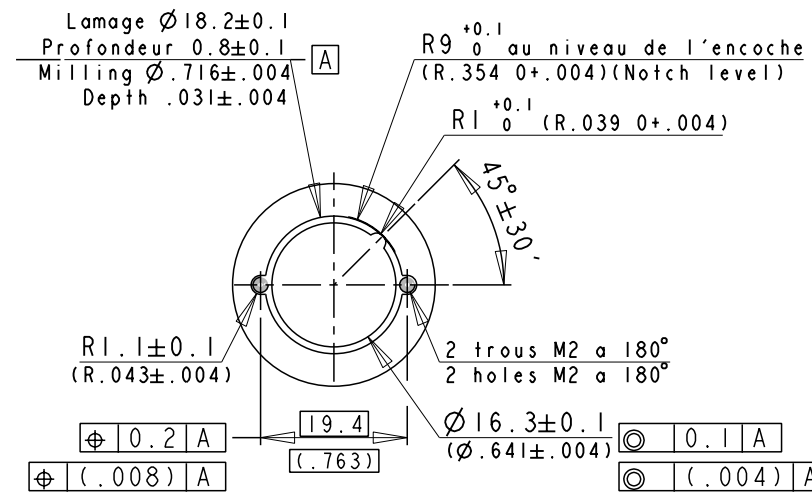
**ELECTRICAL CHARACTERISTICS**

THE SAME PRODUCT MUST BE USED FOR EITHER ONE OR THE OTHER CURRENT.



**FIXATION DU TRIM PAR VIS  
 SCREW MOUNTING**

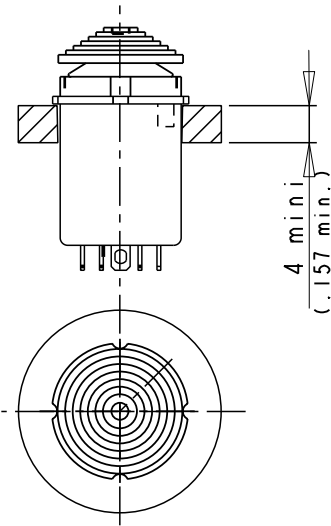
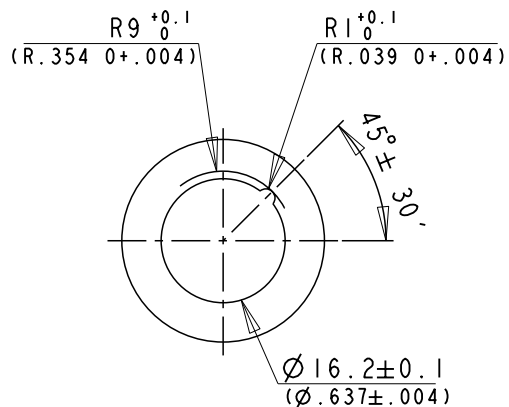
**USINAGE PLATINE  
 PLATE MACHINING**



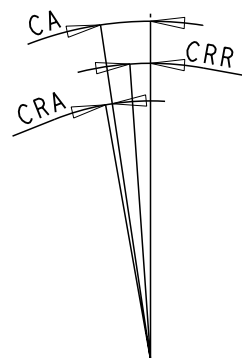
83452534  
 Product:

**FIXATION DU TRIM PAR COLLAGE  
 ASSEMBLING BY GLUE**

**USINAGE PLATINE  
 PLATE MACHINING**



**TRAVEL SCHEME**



<b>B</b>	CTP 6364 : SUPPRESSION NOM CLIENT DANS CARTOUCHE		Modified by	JL.BOURGNE	23/02/2006
			Verified by	F.MONCHAL	23/02/2006
		Authorized by			
Toler. gene. lin ±		mm		This document is the property of Crouzet-Automatismes. It's contents cannot be reproduced or divulged without the company's written approval. The product data and specifications found on this document do not constitute any contractual obligation. Crouzet-Automatismes and its subsidiaries reserve the right to modify the specifications. All rights of reproduction, modification, reprinting, and translation reserved for all countries.	
Toler. gene. Ang ±		degrees			
<b>Crouzet</b>		General Raw surface		Scale 1/1	
2, rue du Dr ABEL BP 59, 26902, Valence CEDEX 9 France		Customer:		Customer Ref.:	
Designation/FR:		<b>BOUTON 4 DIRECTIONS A EFFET TACTILE CONTACTEUR</b>		PFT001:0<C>;0<M>	
Designation/GB:		<b>FOUR WAYS BUTTON WITH TACTILE EFFECT NORMALLY OPEN</b>		Dispatching <b>01</b>	
Department:		Design by F.MONCHAL 15/01/2002		<b>DATA SHEET</b>	
CT		Verif. by P.PAPELIER 15/01/2002		Index <b>B</b> Format <b>A3</b> Folio <b>1/1</b>	
NATO code: FAOX2		Authorized by		<b>FT83452534FR</b>	