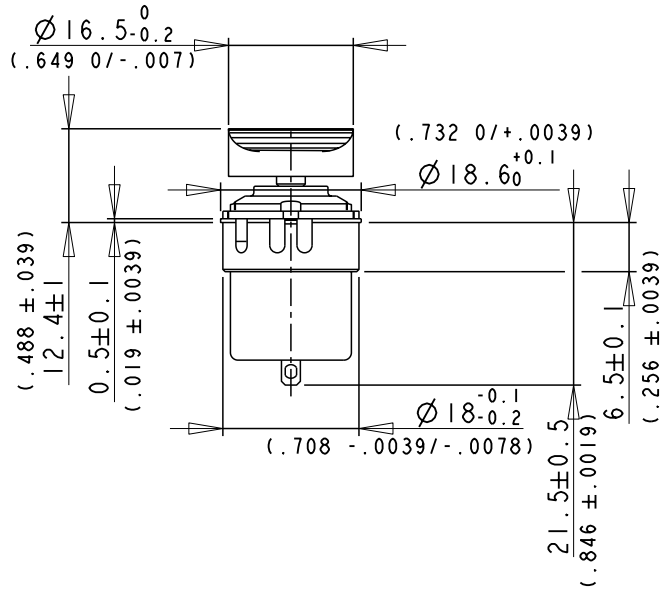
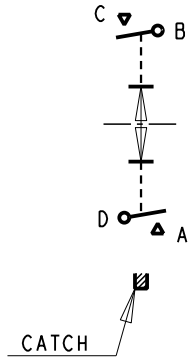
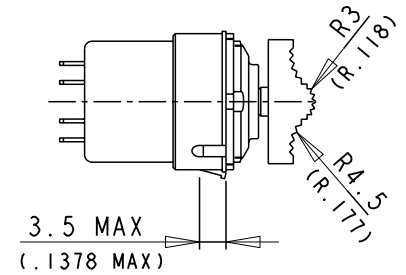
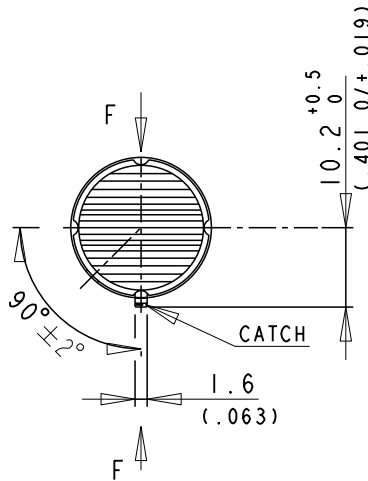
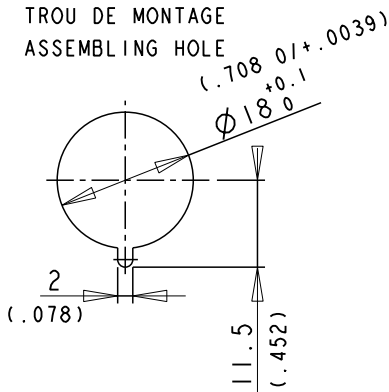


SCHEMA ELECTRIQUE

VUE DE DESSUS



TROU DE MONTAGE
ASSEMBLING HOLE



POUSOIR CONVEXE STRIES
POUSOIR NOIR
PLUS CANON
AUTRES CARACTERISTIQUES, IDENTIQUE A :

CONVEX STREAK BUTTON
BLACK BUTTON
ADDITION INSERT
OTHER CHARACTERISTICS IDENTICAL TO :

FT83-452-504

HOMOLOGATION

FICHE D'EQUIPEMENT AIR

AIR EQUIPMENT SHEET

6.536.120

83452531

Product:

G	CTP 6811 : SUPPRESSION : AND 83452531 AND 83452504	Modified by	JL_BOURGNE	30/08/2007
	SUPPRESSION WATERPROOF DANS DESIGNATION	Verified by	F_MONCHAL	30/08/2007
		Authorized by		

Toler. gene. lin ±	mm	This document is the property of Crouzet-Automatismes. It's contents cannot be reproduced or divulged without the company's written approval. The product data and specifications found on this document do not constitute any contractual obligation. Crouzet-Automatismes and its subsidiaries reserve the right to modify the specifications. All rights of reproduction, modification, reprinting, and translation reserved for all countries.	
Toler. gene. Ang ±	degrees		
Crouzet AUTOMATISMES	General Raw surface Ra ✓		Scale 1/1

Customer:	BOMBARDIER		Customer Ref.:	
10, rue du Dr ABEL BP 59, 26902, VALENCE Cedex 9	Designation/FR:	BOUTON 2 DIRECTIONS A EFFET TACTILE CONTACTEUR		PFT001:0<C>;0<M>
Department:	Designation/GB:	TWO WAYS BUTTON WITH TACTILE EFFECT NORMALLY OPEN		Dispatching DI
	Design by	R_JUNILLON	09/11/1999	N°REV
	Verif. by	M_DOREY	09/11/1999	
NATO code: FAOX2	Authorized by			Folio
DATA SHEET				G
FT83452531FR				A4
				1/1